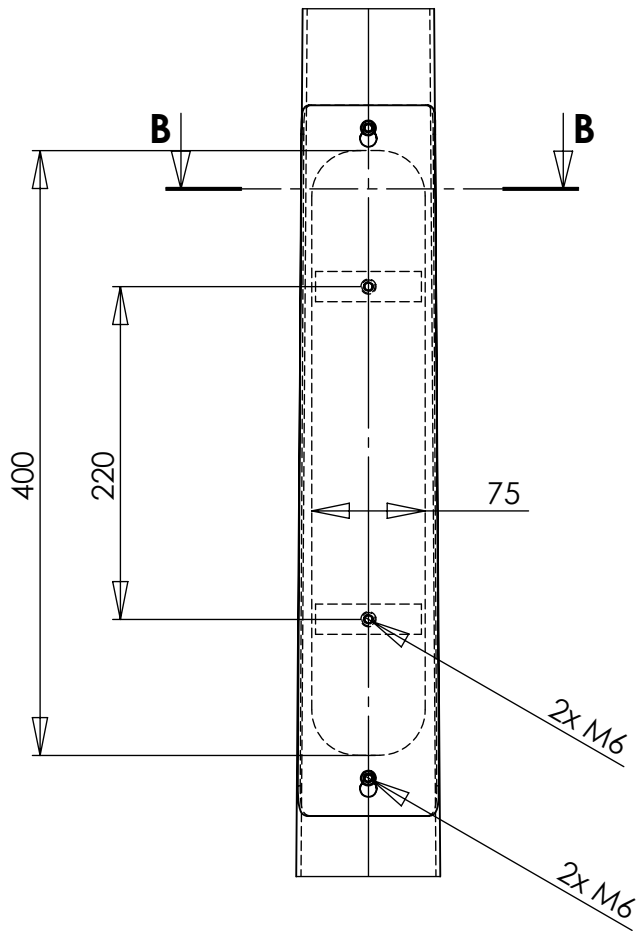
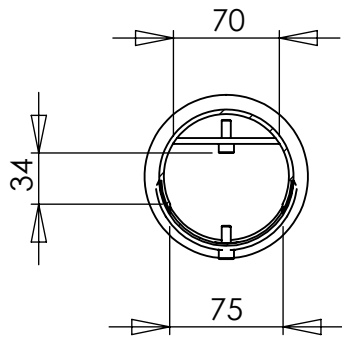


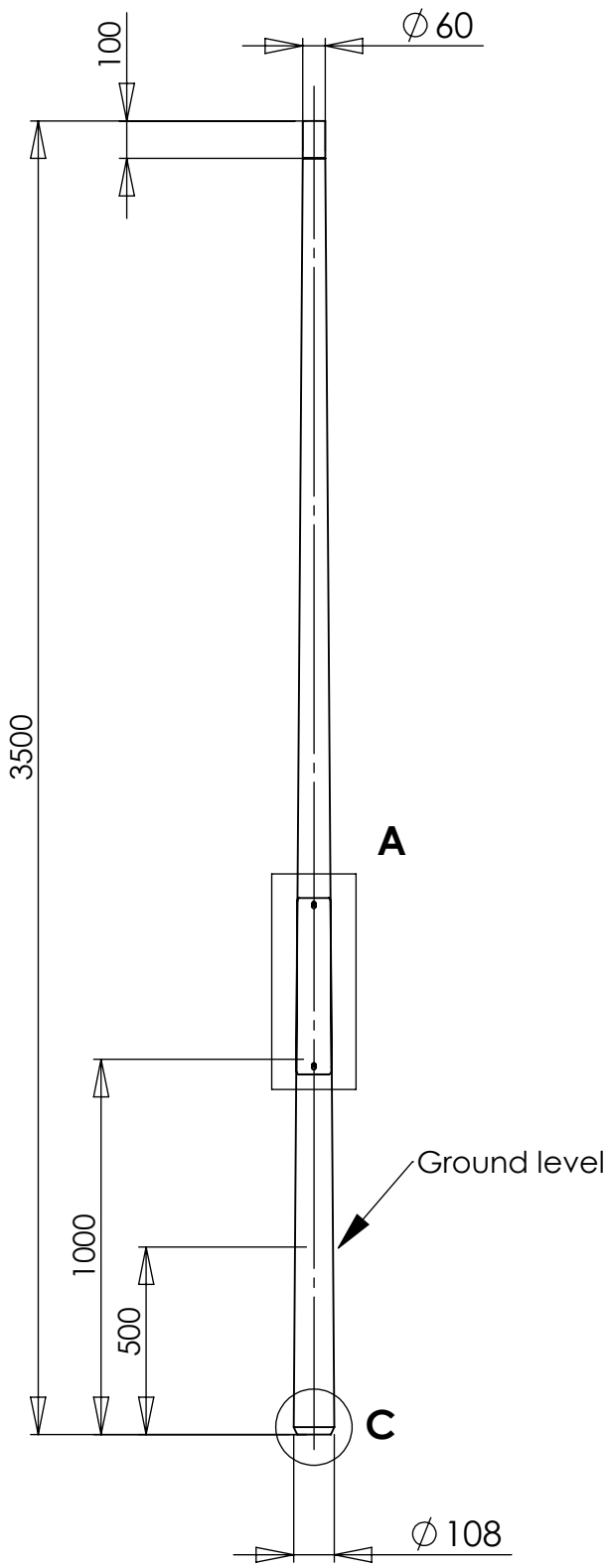
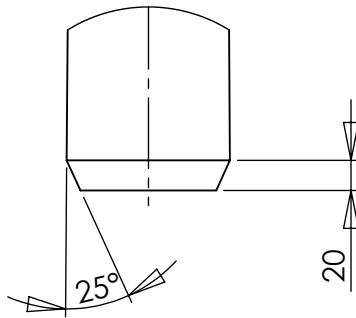
**DETAIL A
SCALE 1 : 5**



**SECTION B-B
SCALE 1 : 5**



**DETAIL C
SCALE 1 : 5**



Raw Material = 20.84 kg
Area : 0.89 m²

| REV | CREATED BY | DATE | DESCRIPTION | APPROVED BY | DATE |
|--|------------|-------------------------------------|---|--|-------------------|
| 0 | ta.maatta | 24.3.2022 | CREATE A LAYOUT | jo.innanen | 24.3.2022 |
|  | | | Nikkarintie 4 FI-51200 Kangasniemi Finland Tel +358 15 337 7770 www.tehomet.com | THIS DRAWING IS PROPERTY OF VALMONT INDUSTRIES AND MUST NOT BE USED, COPIED OR PRODUCED WITHOUT VALMONT'S WRITTEN CONSENT SHEET : 1/1 | |
| MATERIAL : | | CUSTOMER : | | CALCULATION NUMBER : | PART NUMBER : |
| FINISH : GALV EN ISO 1461 | | A203SK 4607800 SUORAKARTIOPYLVÄS | | DRAWING NUMBER : | REVISION |
| GENERAL TOLERANCE ± : EN40 | | | A3 | SCALE 1:20 | 100000KXXX A203SK |

D

C

B

A