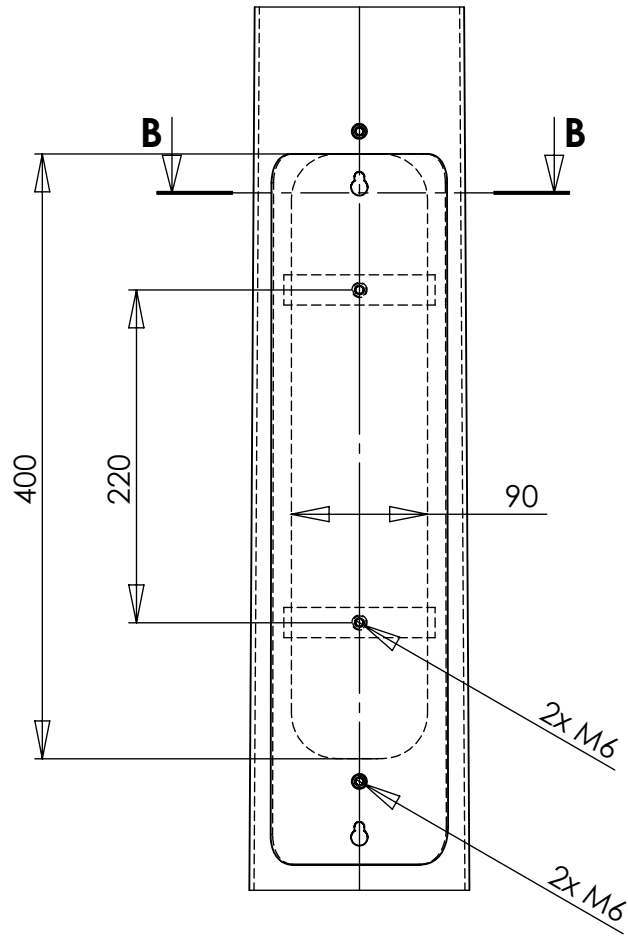
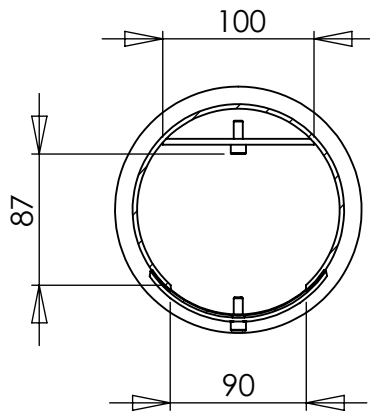


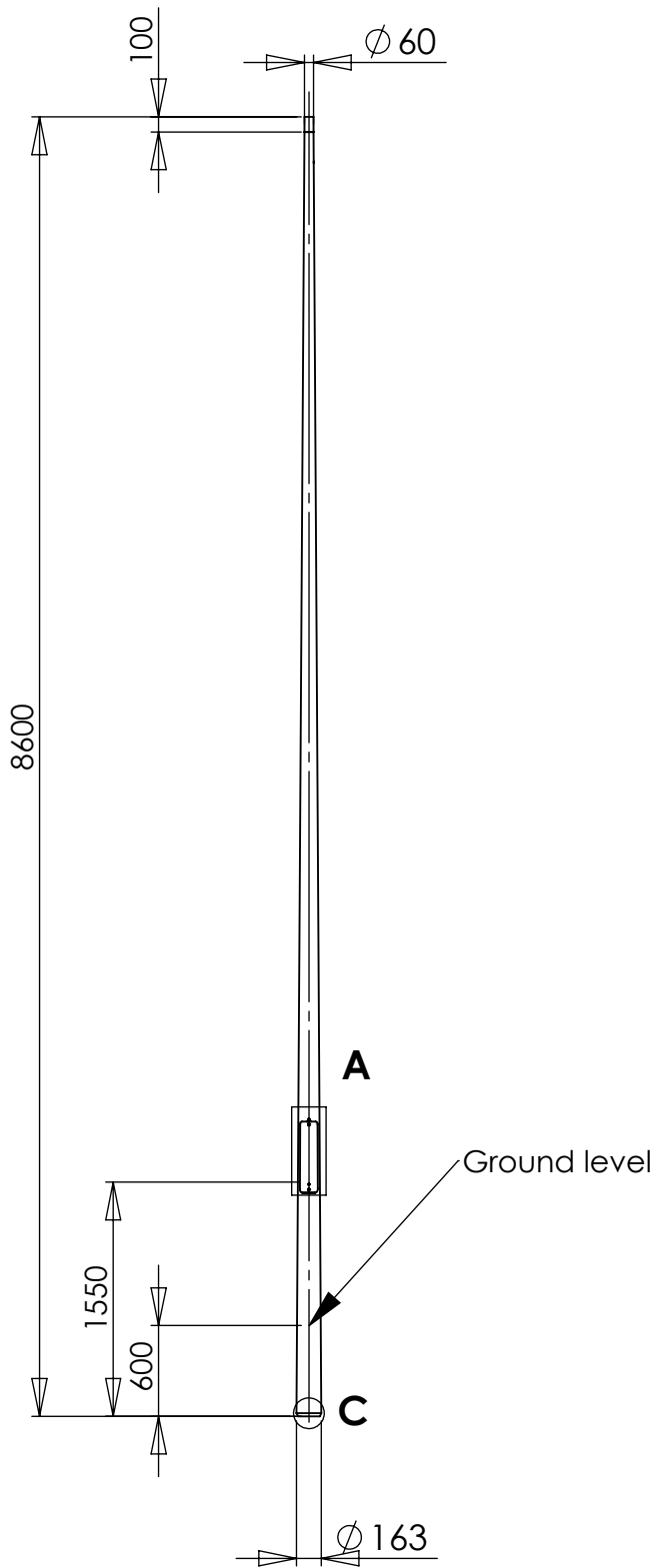
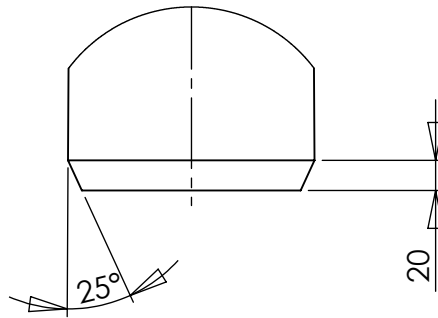
**DETAIL A  
SCALE 1 : 5**



**SECTION B-B  
SCALE 1 : 5**



**DETAIL C  
SCALE 1 : 5**



Raw Material = 68.70 kg  
Area : 2,97 m<sup>2</sup>

REV	CREATED BY	DATE	DESCRIPTION	APPROVED BY	DATE
0	ta.maatta	25.4.2022	CREATE A LAYOUT	jo.innanen	25.4.2022
			Nikkarintie 4 FI-51200 Kangasniemi Finland Tel +358 15 337 7770 www.tehomet.com	THIS DRAWING IS PROPERTY OF VALMONT INDUSTRIES AND MUST NOT BE USED, COPIED OR PRODUCED WITHOUT VALMONT'S WRITTEN CONSENT SHEET : 1/1	
MATERIAL :		CUSTOMER :		CALCULATION NUMBER :	PART NUMBER :
FINISH : GALV EN ISO 1461		B108SK 4607812 SUORAKARTIOPYLVÄS		DRAWING NUMBER :	REVISION
GENERAL TOLERANCE ± : EN40			A3	SCALE 1:50	100040KXXX B108SK