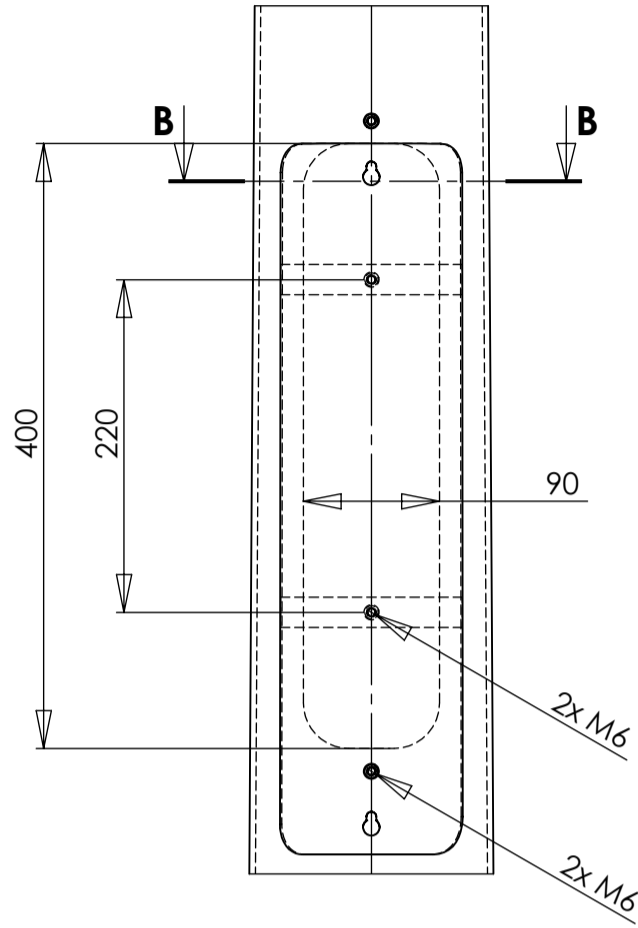
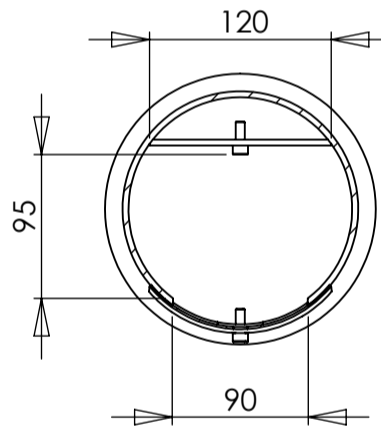


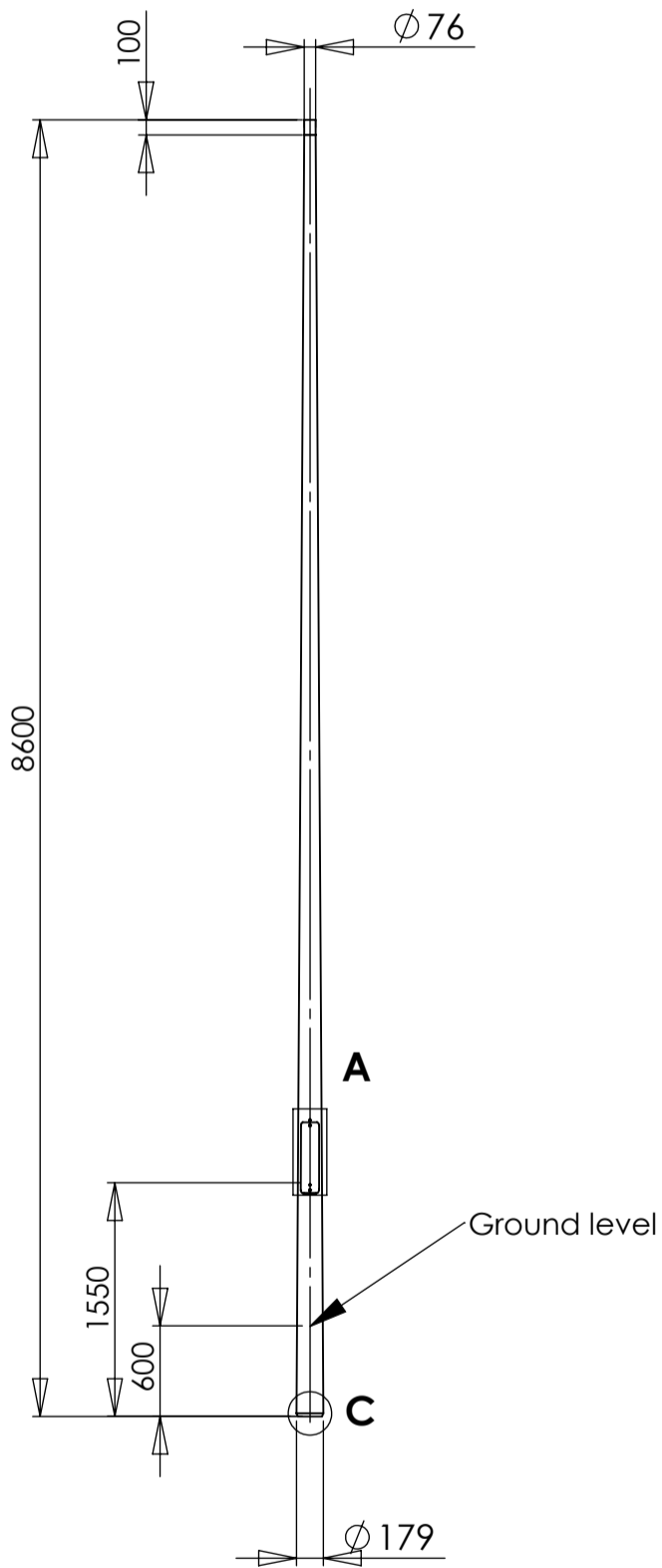
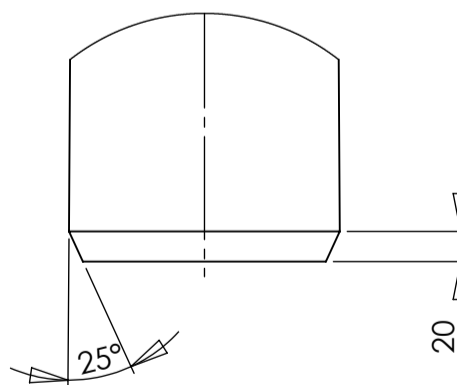
**DETAIL A  
SCALE 1 : 5**



**SECTION B-B  
SCALE 1 : 5**



**DETAIL C  
SCALE 1 : 5**



REV	CREATED BY	DATE	DESCRIPTION	APPROVED BY	DATE
0	ta.maatta	26.4.2022	CREATE A LAYOUT	jo.innanen	26.4.2022
		Nikkarintie 4 FI-51200 Kangasniemi Finland		Tel +358 15 337 7770 <a href="http://www.tehomet.com">www.tehomet.com</a>	THIS DRAWING IS PROPERTY OF VALMONT INDUSTRIES AND MUST NOT BE USED, COPIED OR PRODUCED WITHOUT VALMONT'S WRITTEN CONSENT
MATERIAL :		CUSTOMER :		CALCULATION NUMBER :	PART NUMBER :
FINISH : GALV EN ISO 1461		B208SK-S4 4608204 SUORAKARTIOPYLVÄS		DRAWING NUMBER : 100060KXXX	REVISION B208SK-S4
GENERAL TOLERANCE ± : EN40			A3	SCALE 1:50	

Raw Material = 104.08 kg  
Area : 3,4 m<sup>2</sup>

SHEET :  
1/1

1