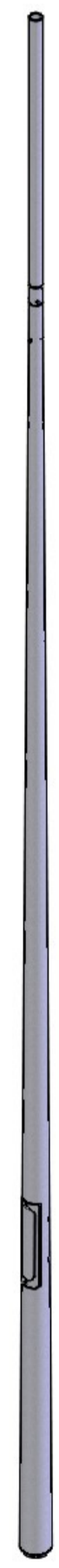
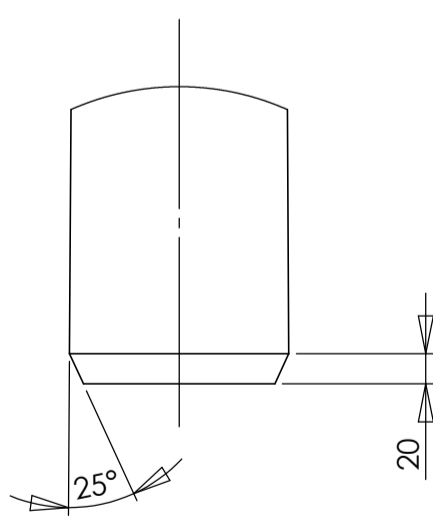
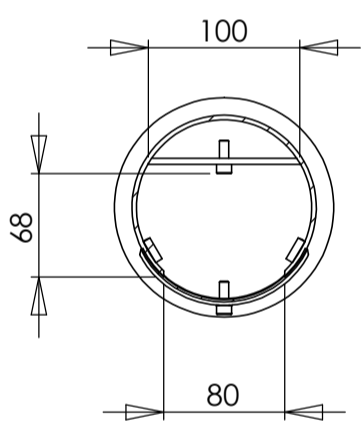
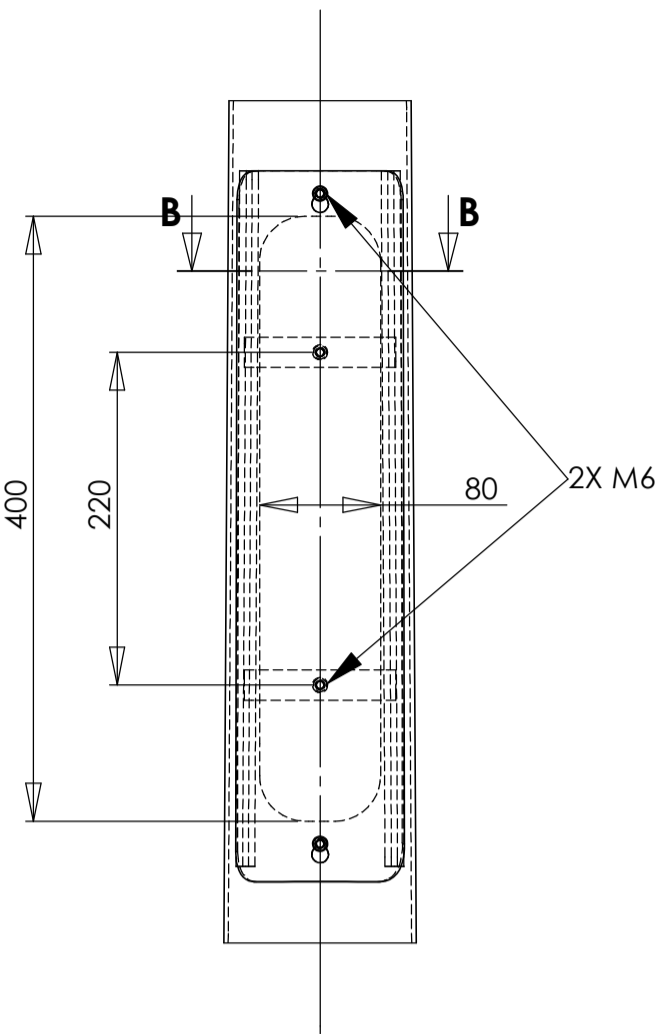
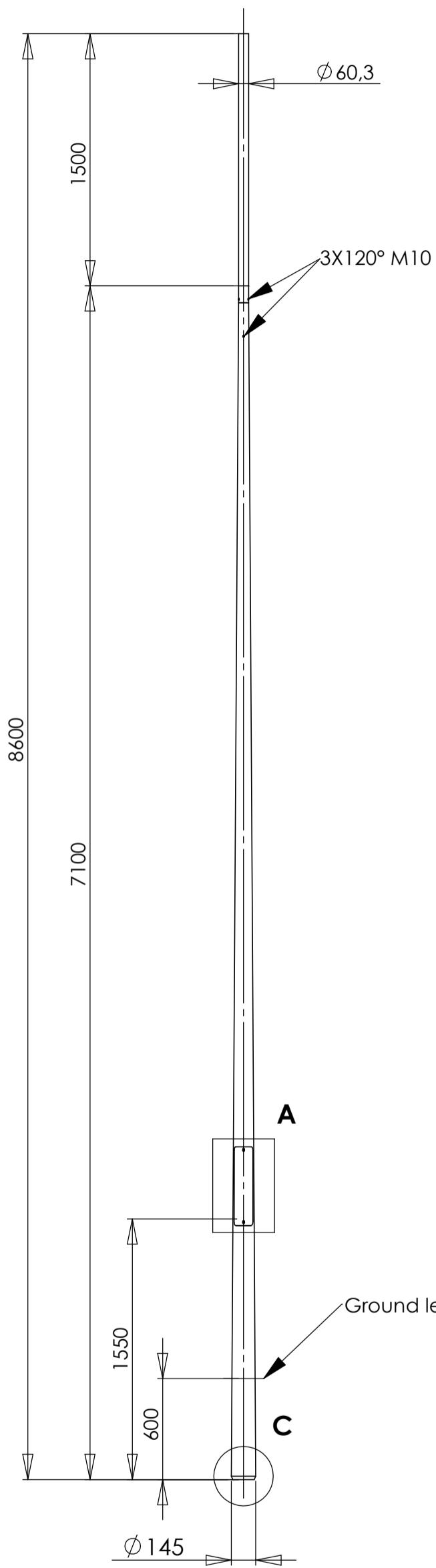


**DETAIL A
SCALE 1 : 5**

**SECTION B-B
SCALE 1 : 5**

**DETAIL C
SCALE 1 : 5**



Raw Material = 59.81 kg
Area : 2,73 m²

REV	CREATED BY	DATE	DESCRIPTION	APPROVED BY	DATE
0	ta.maatta	4.5.2022	CREATE A LAYOUT	jo.innanen	4.5.2022
			Nikkarintie 4 FI-51200 Kangasniemi Finland Tel +358 15 337 7770 www.tehomet.com	THIS DRAWING IS PROPERTY OF VALMONT INDUSTRIES AND MUST NOT BE USED, COPIED OR PRODUCED WITHOUT VALMONT'S WRITTEN CONSENT	
MATERIAL :		CUSTOMER :		CALCULATION NUMBER :	PART NUMBER :
FINISH : GALV EN ISO 1461		S100B108K 4607821 S-VARTINEN KARTIOPYLVÄS		DRAWING NUMBER :	REVISION
GENERAL TOLERANCE ± : EN40			A3	SCALE 1:30	100500KGXS S100B108K

8
7
6
5
4
3
2
1

8
7
6
5
4
3
2
1

D C B A