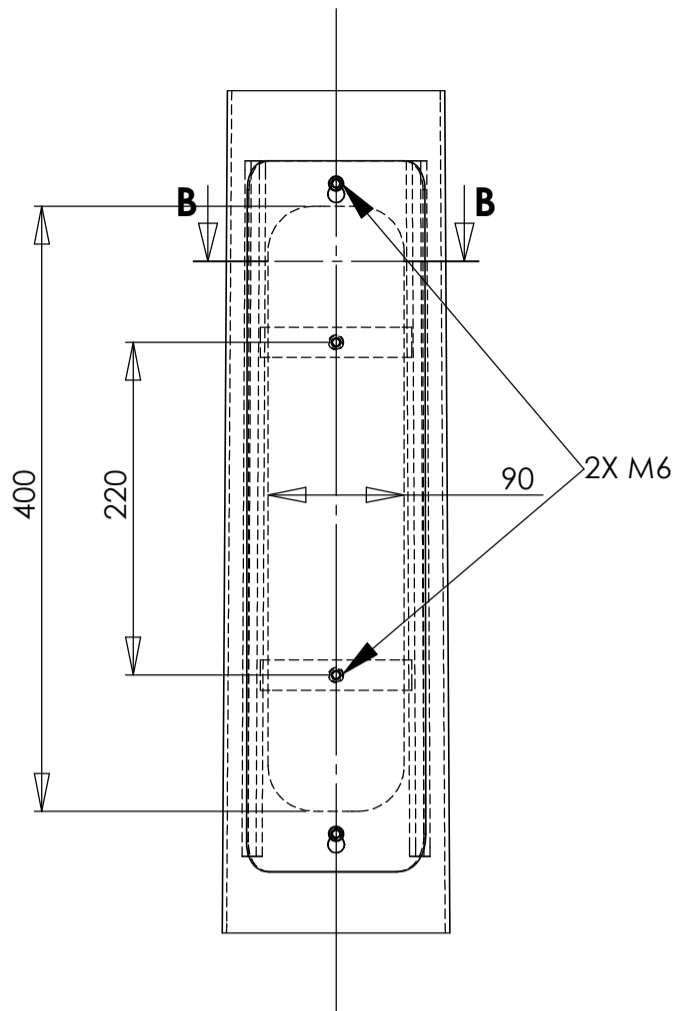
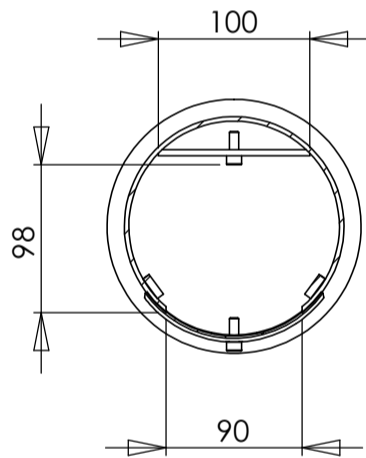


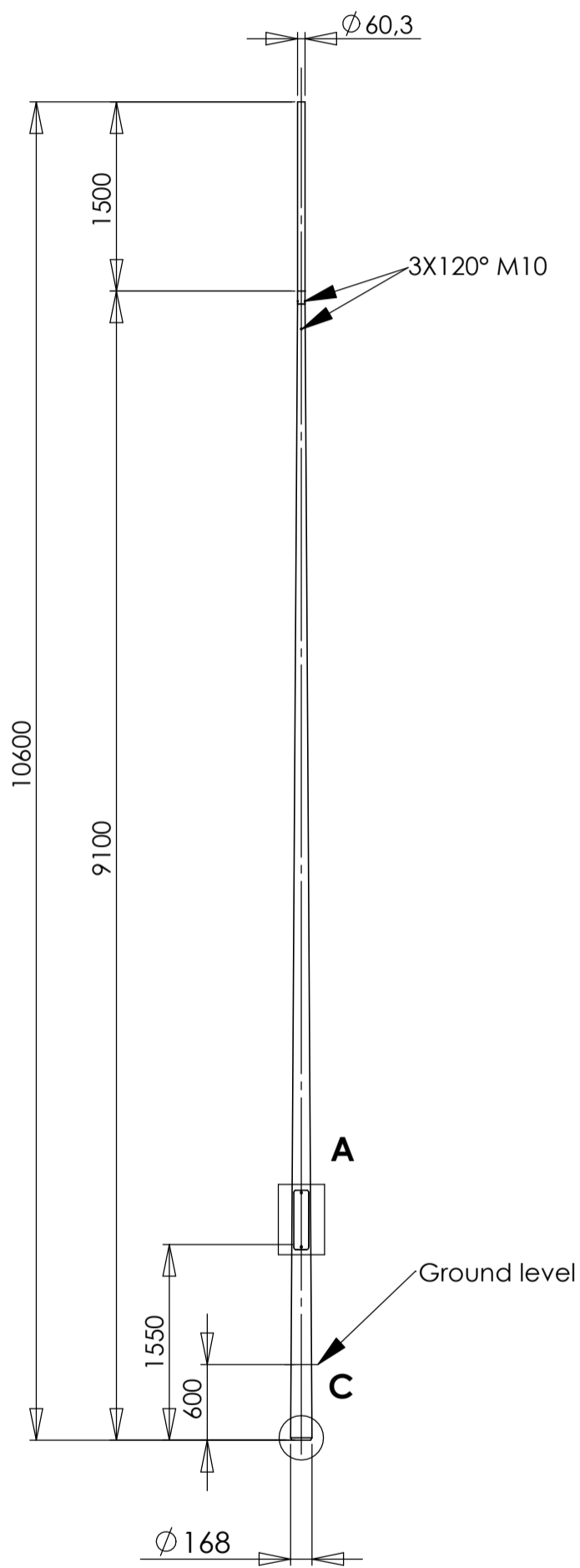
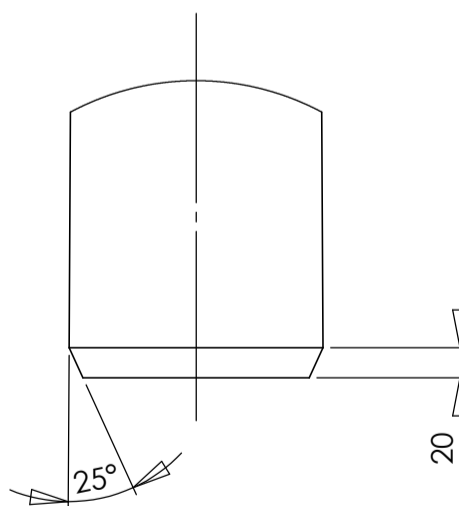
**DETAIL A  
SCALE 1 : 5**



**SECTION B-B  
SCALE 1 : 5**



**DETAIL C  
SCALE 1 : 5**



Raw Material = 82.12 kg  
Area : 3,70 m<sup>2</sup>

| REV  | CREATED BY | DATE   | DESCRIPTION   | APPROVED BY  | DATE          |
|--|------------|--|---|--|---------------|
| 0  | ta.maatta  | 4.5.2022                                     | CREATE A LAYOUT   | jo.innanen   | 4.5.2022      |
|  |            |  | Nikkarintie 4<br>FI-51200 Kangasniemi<br>Finland<br>Tel +358 15 337 7770<br>www.tehomet.com | THIS DRAWING IS PROPERTY OF VALMONT INDUSTRIES AND MUST NOT BE USED, COPIED OR PRODUCED WITHOUT VALMONT'S WRITTEN CONSENT<br>SHEET : 1/1 |               |
| MATERIAL :   |            | CUSTOMER :                                   |   | CALCULATION NUMBER :   | PART NUMBER : |
| FINISH : GALV EN ISO 1461  |            | S100B110K 4607824<br>S-VARTINEN KARTIOPYLVÄS |   | DRAWING NUMBER : 100510KGXS S100B110K  |               |
| GENERAL TOLERANCE ± : EN40   |            |  | A3  | SCALE 1:50   | REVISION      |

D

C

B

A