

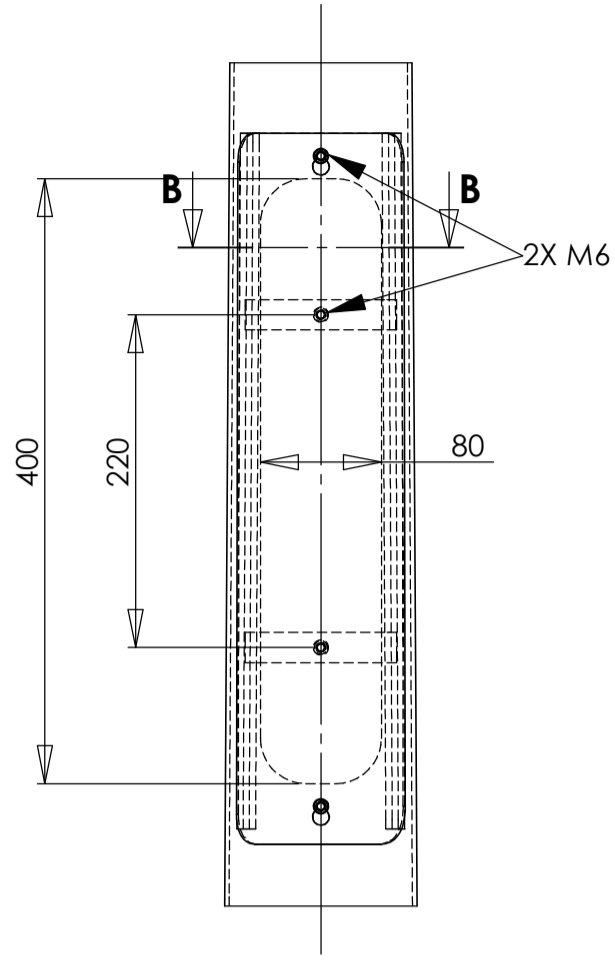
D

C

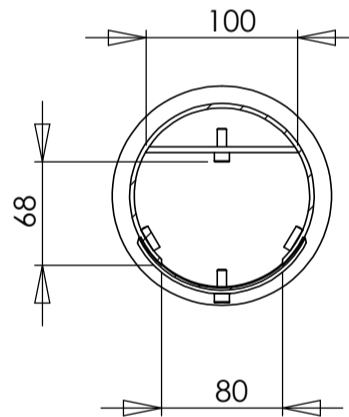
B

A

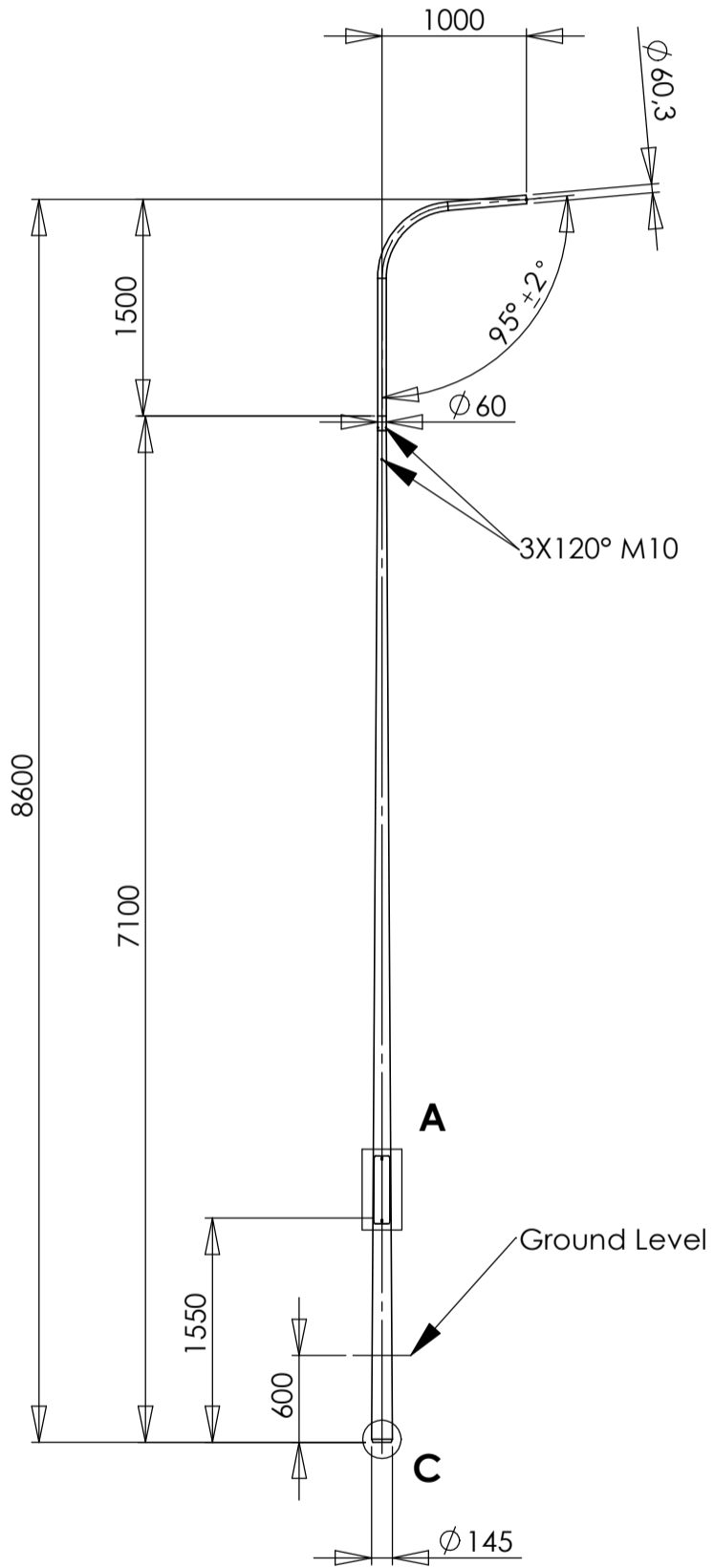
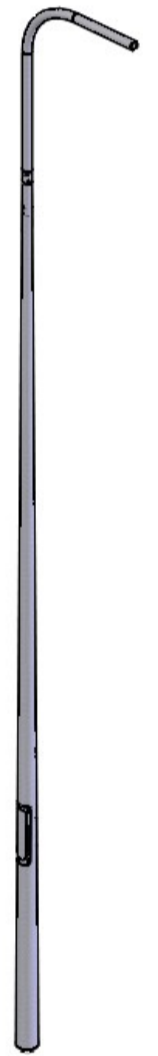
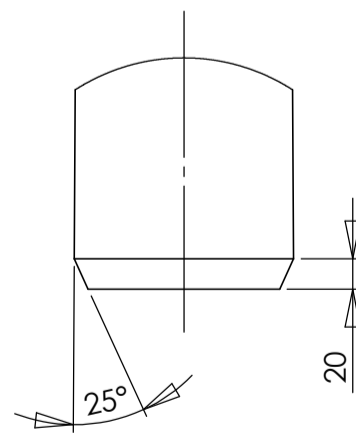
### DETAIL A SCALE 1 : 5



### SECTION B-B SCALE 1 : 5



### DETAIL C SCALE 1 : 5



Raw Material = 62.85 kg  
Area : 2,87 m<sup>2</sup>

REV	CREATED BY	DATE	DESCRIPTION	APPROVED BY	DATE
0	ta.maatta	9.5.2022	CREATE A LAYOUT	jo.innanen	9.5.2022
			Nikkarintie 4 FI-51200 Kangasniemi Finland <a href="http://www.tehomet.com">www.tehomet.com</a>	THIS DRAWING IS PROPERTY OF VALMONT INDUSTRIES AND MUST NOT BE USED, COPIED OR PRODUCED WITHOUT VALMONT'S WRITTEN CONSENT SHEET : 1/1	
MATERIAL :		CUSTOMER :		CALCULATION NUMBER :	PART NUMBER :
FINISH : GALV EN ISO 1461		P110B108K 4607845 P-VARTINEN KARTIOPYLVÄS		DRAWING NUMBER :	REVISION
GENERAL TOLERANCE ± : EN40			A3	SCALE 1:50	100600KGXS P110B108K

D

C

B

A