

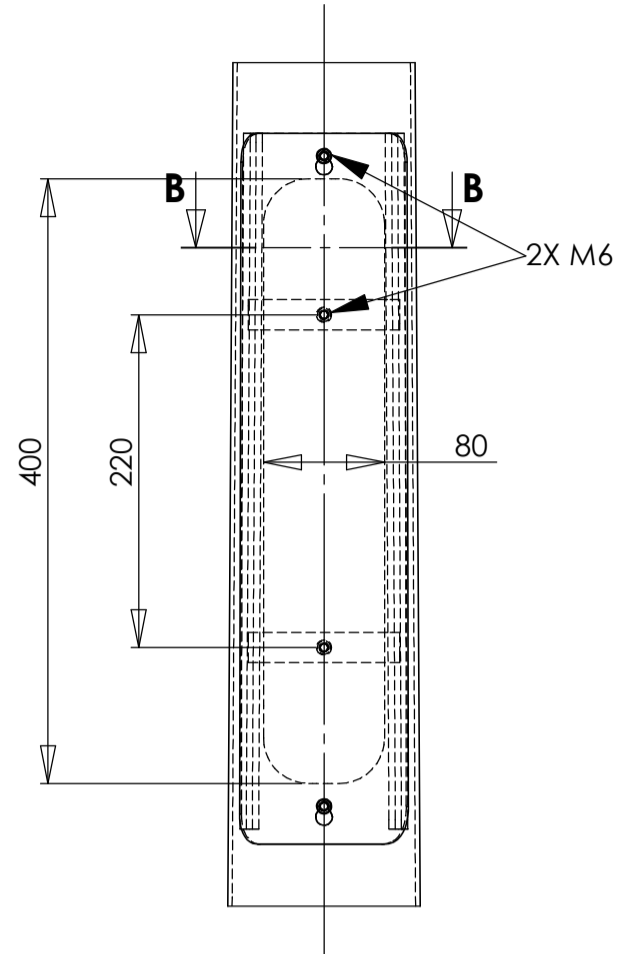
D

C

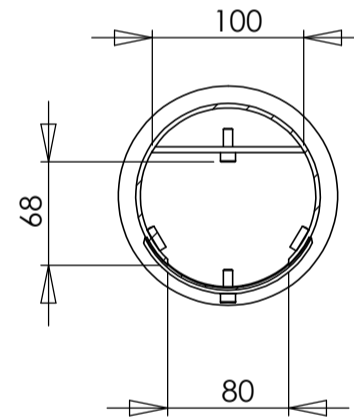
B

A

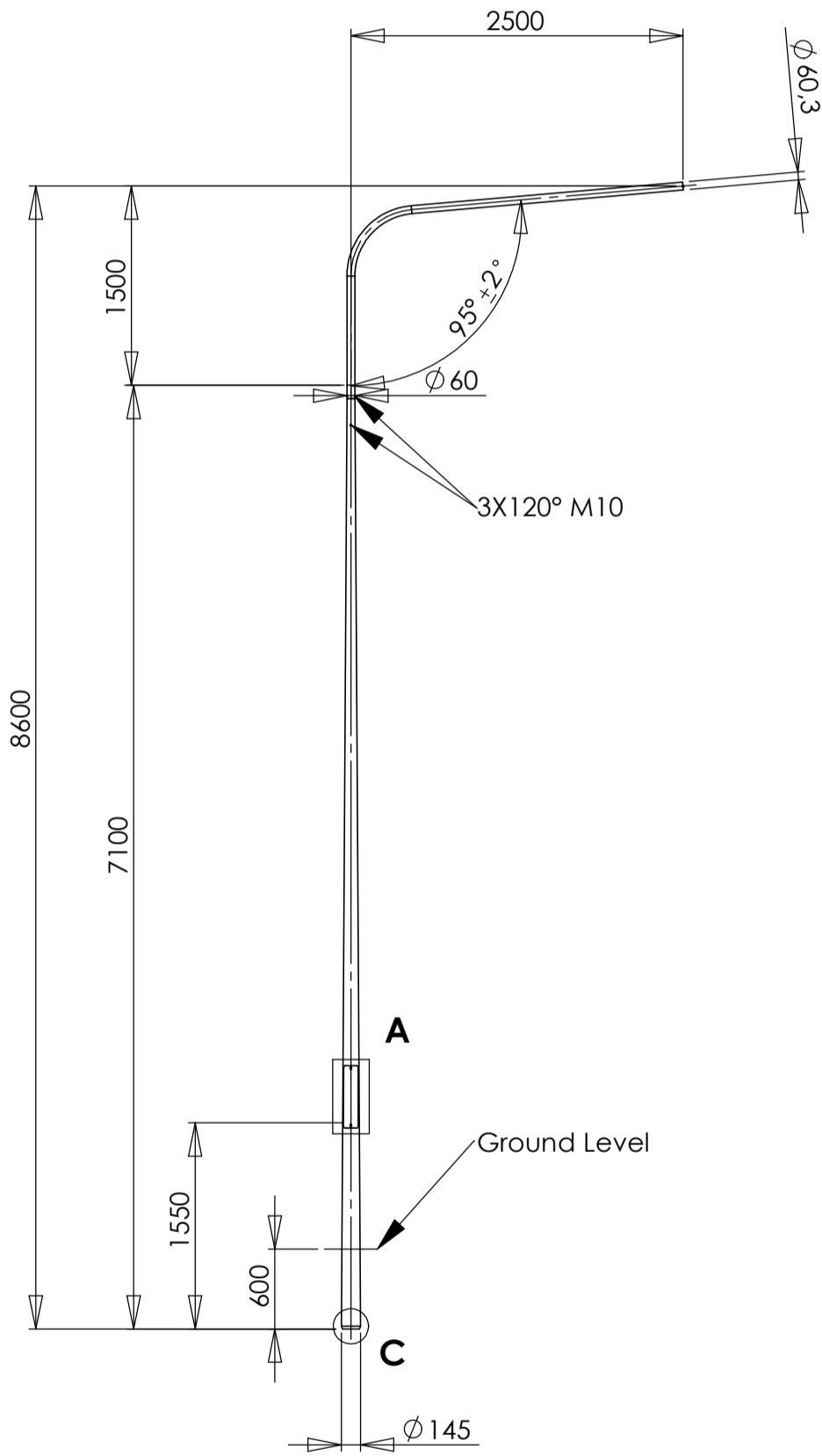
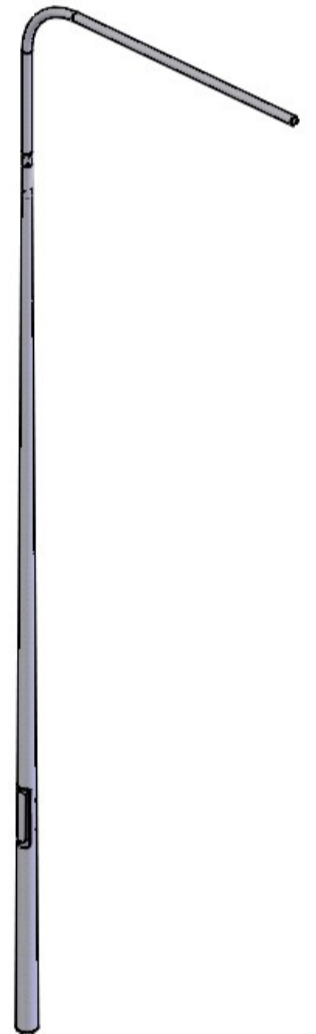
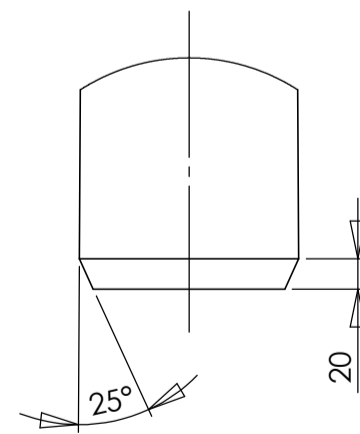
DETAIL A SCALE 1 : 5



SECTION B-B SCALE 1 : 5



DETAIL C SCALE 1 : 5



Raw Material = 68.50 kg
Area : 3,13 m²

REV	CREATED BY	DATE	DESCRIPTION	APPROVED BY	DATE
0	ta.maatta	9.5.2022	CREATE A LAYOUT	jo.innanen	9.5.2022
			Nikkarintie 4 FI-51200 Kangasniemi Finland Tel +358 15 337 7770 www.tehomet.com	THIS DRAWING IS PROPERTY OF VALMONT INDUSTRIES AND MUST NOT BE USED, COPIED OR PRODUCED WITHOUT VALMONT'S WRITTEN CONSENT SHEET : 1/1	
MATERIAL :		CUSTOMER :		CALCULATION NUMBER :	PART NUMBER :
FINISH : GALV EN ISO 1461		P125B108K 4607848 P-VARTINEN KARTIOPYLVÄS		DRAWING NUMBER :	REVISION
GENERAL TOLERANCE ± : EN40			A3	SCALE 1:50	100610KGXS P125B108K

D

C

B

A