

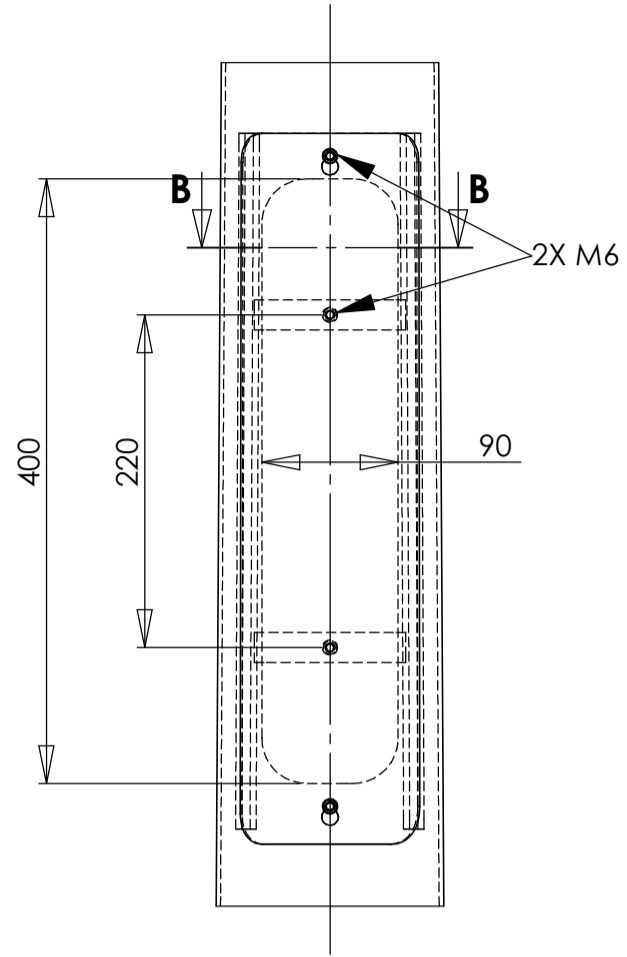
D

C

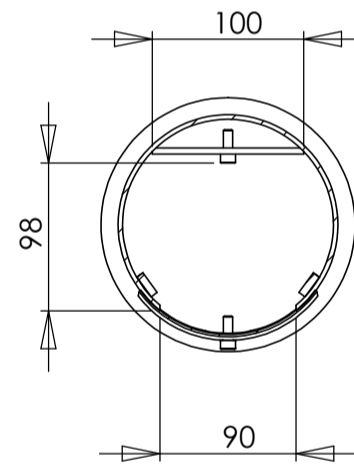
B

A

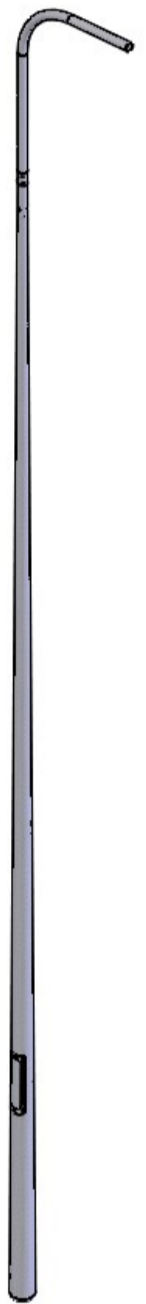
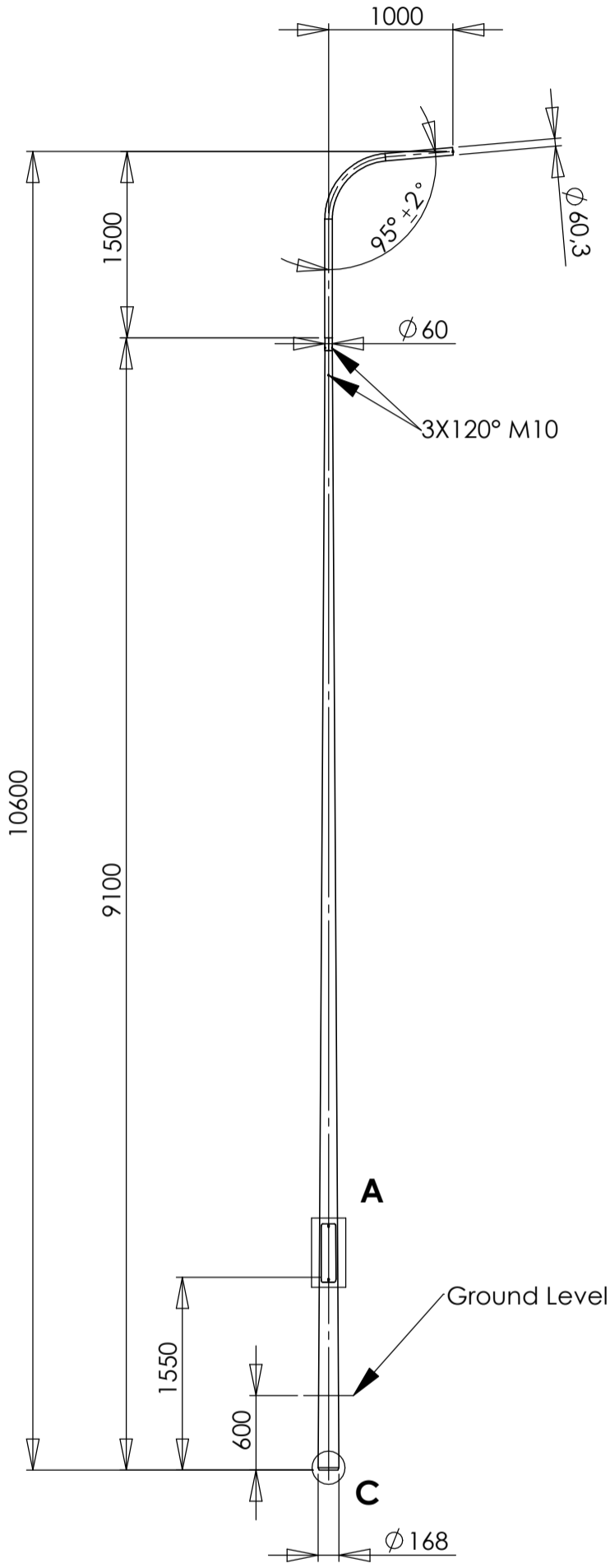
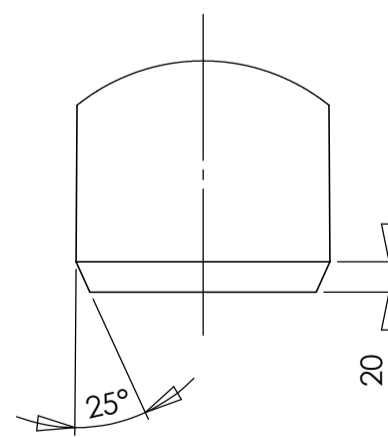
DETAIL A SCALE 1 : 5



SECTION B-B SCALE 1 : 5



DETAIL C SCALE 1 : 5



Raw Material = 85.16 kg
Area : 3.84 m²

REV	CREATED BY	DATE	DESCRIPTION	APPROVED BY	DATE
0	ta.maatta	9.5.2022	CREATE A LAYOUT	jo.innanen	9.5.2022
		Nikkarintie 4 FI-51200 Kangasniemi Finland		Tel +358 15 337 7770 www.tehomet.com	
MATERIAL :		CUSTOMER :		THIS DRAWING IS PROPERTY OF VALMONT INDUSTRIES AND MUST NOT BE USED, COPIED OR PRODUCED WITHOUT VALMONT'S WRITTEN CONSENT	
FINISH : GALV EN ISO 1461		P110B110K 4607854 P-VARTINEN KARTIOPYLVÄS		SHEET : 1/1	
GENERAL TOLERANCE ± : EN40		A3 SCALE 1:50		CALCULATION NUMBER : PART NUMBER :	
				DRAWING NUMBER : 100630KGXS P110B110K REVISION	

D

C

B

A