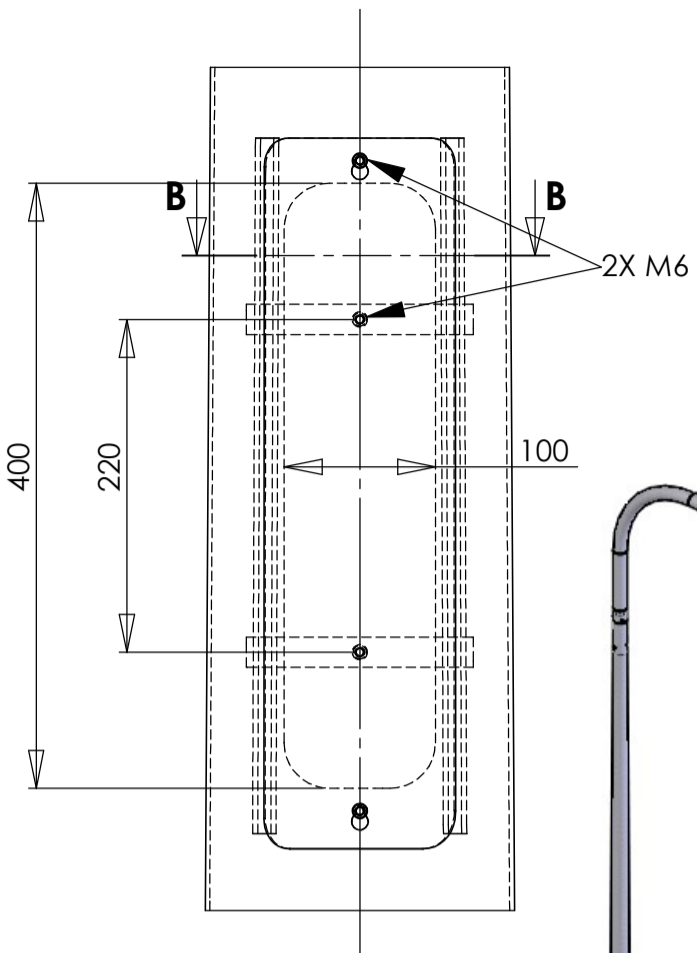
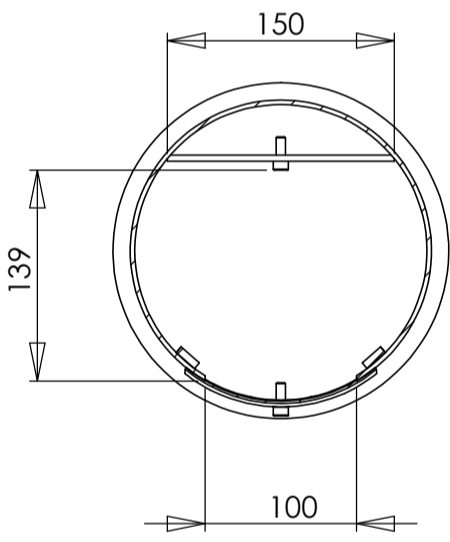


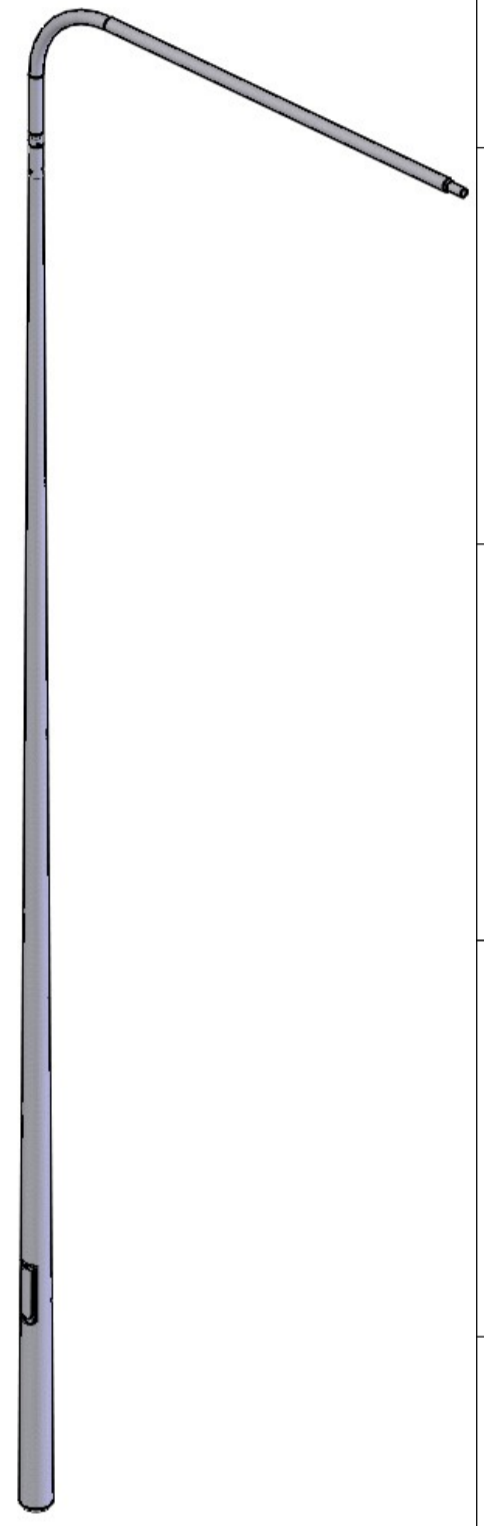
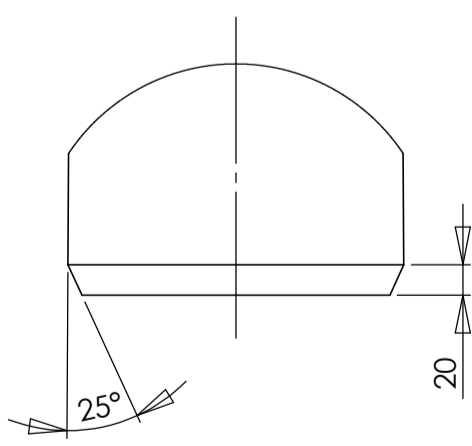
**DETAIL A  
SCALE 1 : 5**



**SECTION B-B  
SCALE 1 : 5**



**DETAIL C  
SCALE 1 : 5**



Raw Material = 160.15 kg  
Area : 7.01 m<sup>2</sup>

REV	CREATED BY	DATE	DESCRIPTION	APPROVED BY	DATE		
0	ta.maatta	9.5.2022	CREATE A LAYOUT	jo.innanen	9.5.2022		
			Nikkarintie 4 FI-51200 Kangasniemi Finland Tel +358 15 337 7770 www.tehomet.com		THIS DRAWING IS PROPERTY OF VALMONT INDUSTRIES AND MUST NOT BE USED, COPIED OR PRODUCED WITHOUT VALMONT'S WRITTEN CONSENT	SHEET : 1/1	
MATERIAL :		CUSTOMER :		CALCULATION NUMBER :		PART NUMBER :	
FINISH : GALV EN ISO 1461		P140C212K 4607875 P-VARTINEN KARTIOPYLVÄS		DRAWING NUMBER : 100700KGXS P140C212K		REVISION	
GENERAL TOLERANCE ± : EN40			A3	SCALE 1:50			