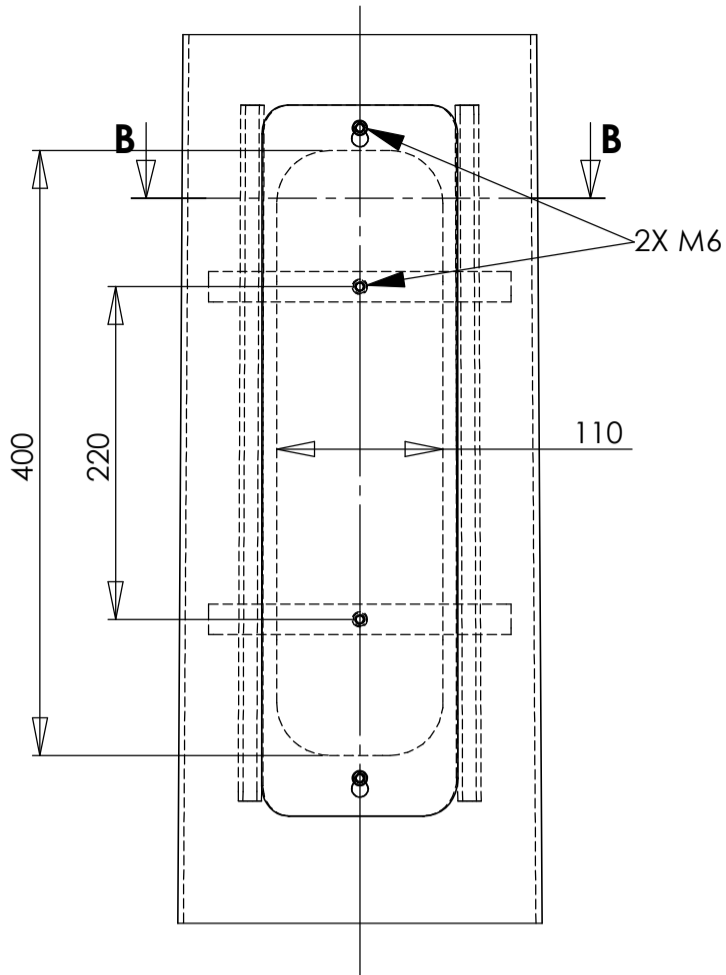
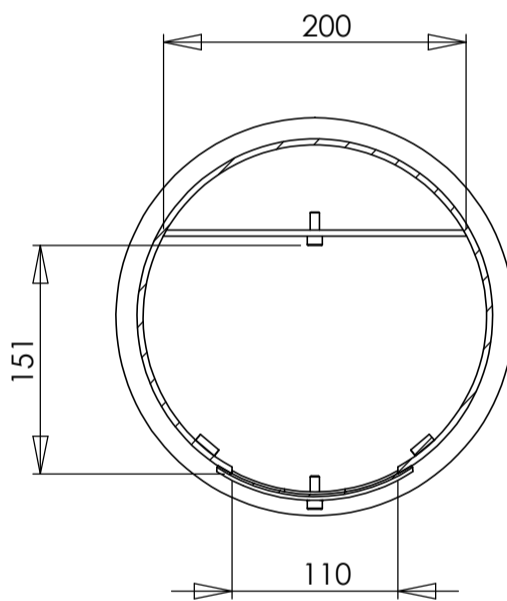


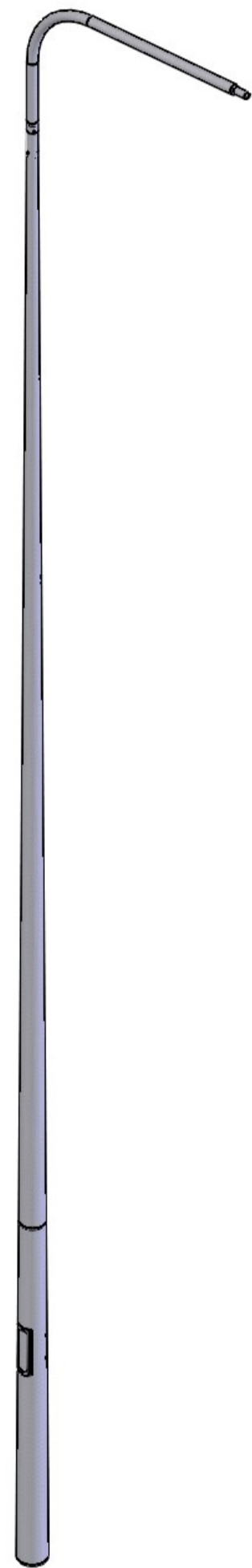
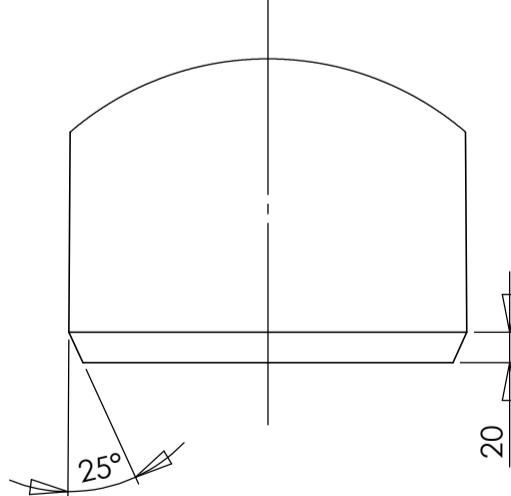
**DETAIL A
SCALE 1 : 5**



**SECTION B-B
SCALE 1 : 5**



**DETAIL C
SCALE 1 : 5**



Raw Material = 230.75 kg
Area : 9.2 m²

REV	CREATED BY	DATE	DESCRIPTION	APPROVED BY	DATE		
0	ta.maatta	9.5.2022	CREATE A LAYOUT	jo.innanen	9.5.2022		
			Nikkarintie 4 FI-51200 Kangasniemi Finland Tel +358 15 337 7770 www.tehomet.com		THIS DRAWING IS PROPERTY OF VALMONT INDUSTRIES AND MUST NOT BE USED, COPIED OR PRODUCED WITHOUT VALMONT'S WRITTEN CONSENT	SHEET : 1/1	
MATERIAL :		CUSTOMER :		CALCULATION NUMBER :		PART NUMBER :	
FINISH : GALV EN ISO 1461		P225C215K 4607881 P-VARTINEN KARTIOPYLVÄS		DRAWING NUMBER :		REVISION	
GENERAL TOLERANCE ± : EN40			A3	SCALE 1:50		100720KGSX P225C215K	