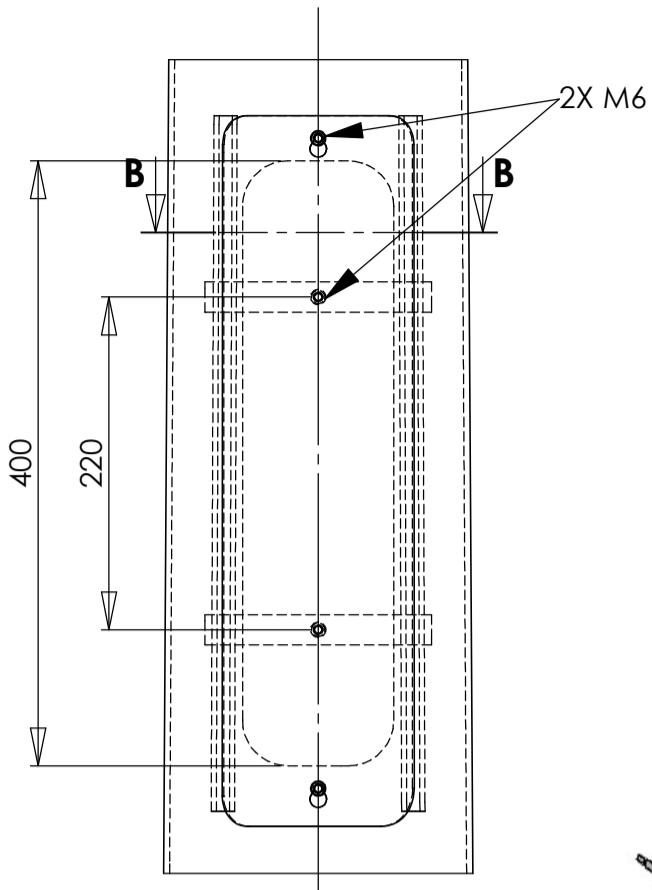
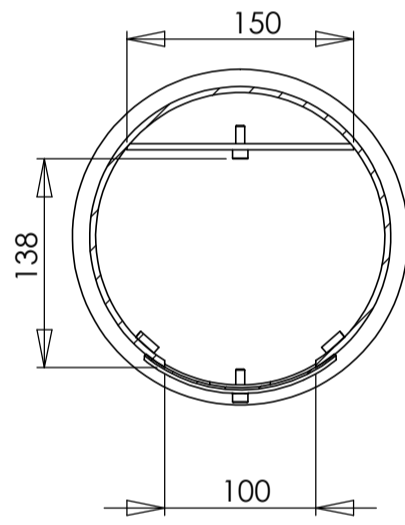


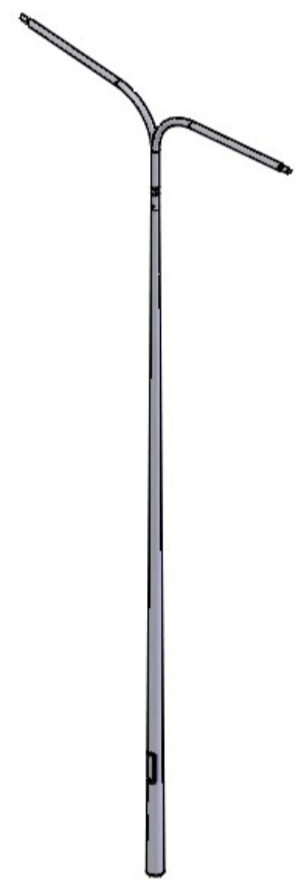
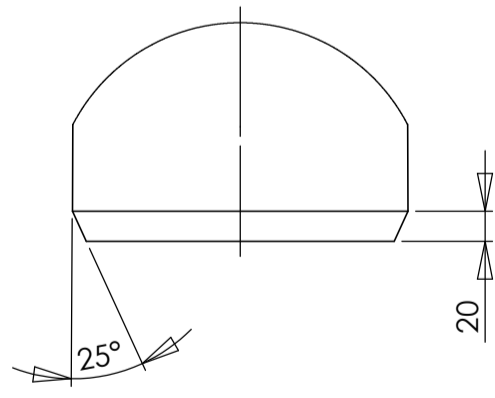
**DETAIL A
SCALE 1 : 5**



**SECTION B-B
SCALE 1 : 5**



**DETAIL C
SCALE 1 : 5**



Raw Material = 207.59 kg
Area : 7.44 m²

REV	CREATED BY	DATE	DESCRIPTION	APPROVED BY	DATE
0	ta.maatta	9.5.2022	CREATE A LAYOUT	jo.innanen	9.5.2022
			Nikkarintie 4 FI-51200 Kangasniemi Finland Tel +358 15 337 7770 www.tehomet.com	THIS DRAWING IS PROPERTY OF VALMONT INDUSTRIES AND MUST NOT BE USED, COPIED OR PRODUCED WITHOUT VALMONT'S WRITTEN CONSENT SHEET : 1/1	
MATERIAL :		CUSTOMER :		CALCULATION NUMBER :	PART NUMBER :
FINISH : GALV EN ISO 1461		T225C312K 4607911 T-VARTINEN KARTIOPYLVÄS		DRAWING NUMBER : 100890KGXS T225C312K	
GENERAL TOLERANCE ± : EN40			A3	SCALE 1:50	REVISION