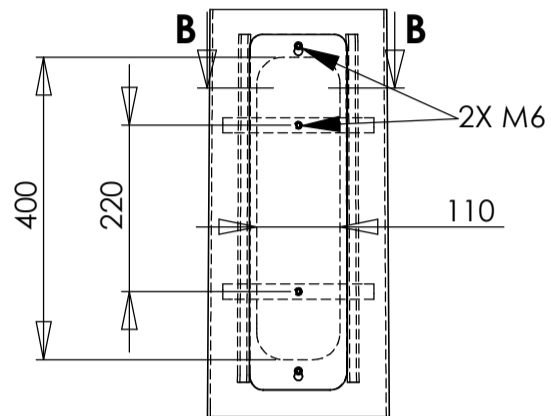
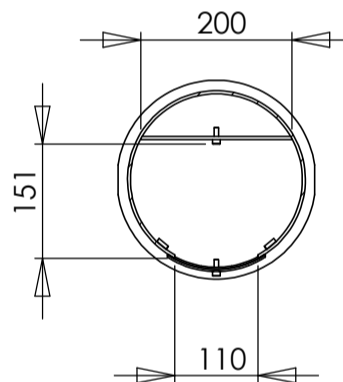


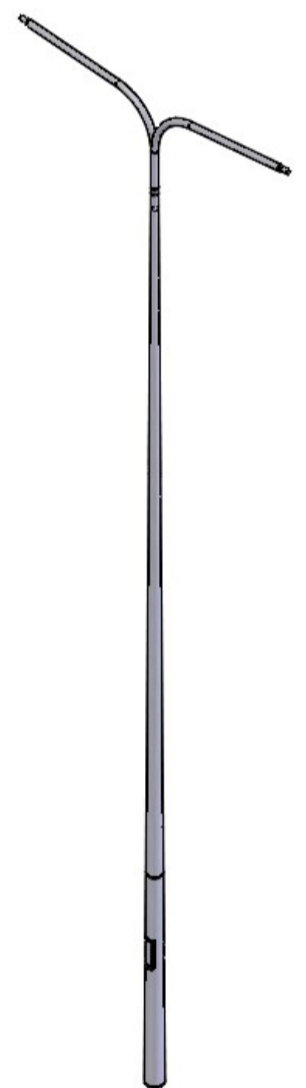
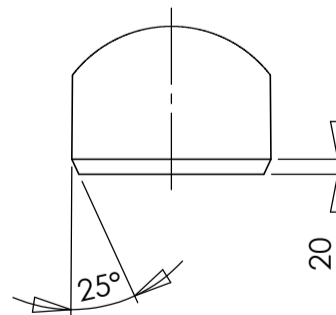
**DETAIL A  
SCALE 1 : 10**



**SECTION B-B  
SCALE 1 : 10**



**DETAIL C  
SCALE 1 : 10**



Raw Material = 287.88 kg  
Area : 10.01 m<sup>2</sup>

REV	CREATED BY	DATE	DESCRIPTION	APPROVED BY	DATE
0	ta.maatta	9.5.2022	CREATE A LAYOUT	jo.innanen	9.5.2022

 <b>TEHOMET</b> A valmont COMPANY	Nikkarintie 4 FI-51200 Kangasniemi Finland	Tel +358 15 337 7770 <a href="http://www.tehomet.com">www.tehomet.com</a>	THIS DRAWING IS PROPERTY OF VALMONT INDUSTRIES AND MUST NOT BE USED, COPIED OR PRODUCED WITHOUT VALMONT'S WRITTEN CONSENT	SHEET : <b>1/1</b>
	MATERIAL :	CUSTOMER :	CALCULATION NUMBER :	PART NUMBER :
FINISH : GALV EN ISO 1461	T225C315K 4607923 T-VARTINEN KARTIOPYLVÄS		DRAWING NUMBER : 100930KGXS	REVISION
GENERAL TOLERANCE ± : EN40	A3	SCALE 1:50	T225C315K	