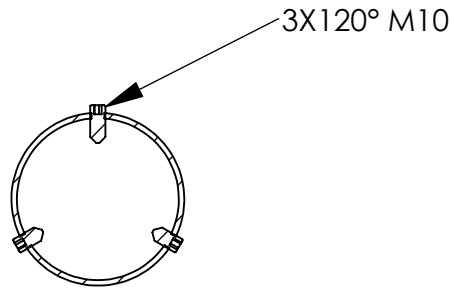
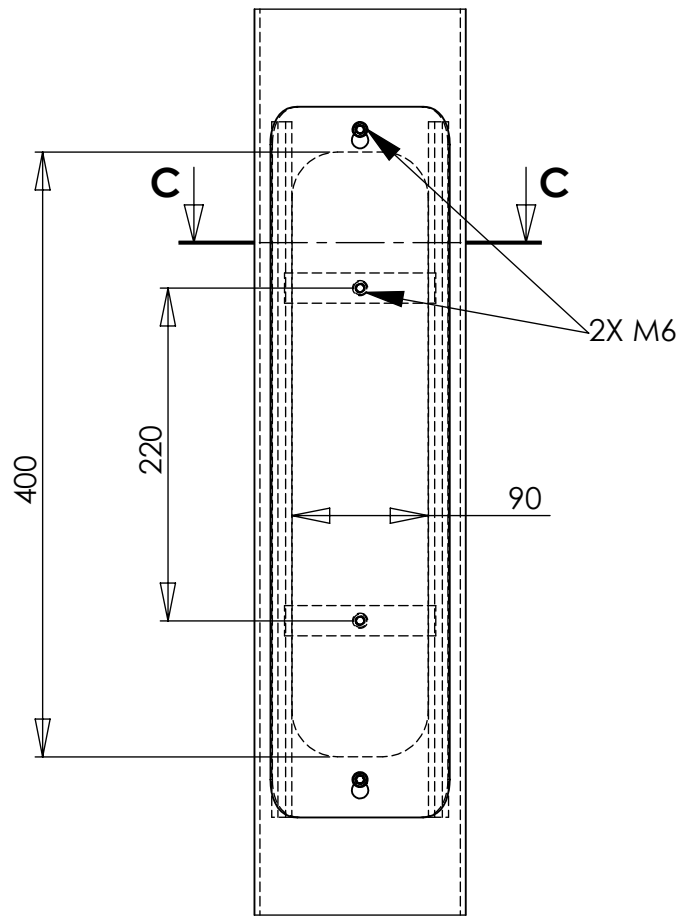


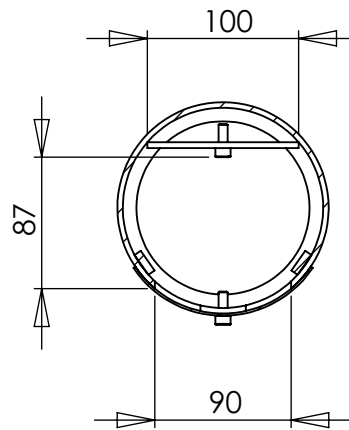
**SECTION A-A  
SCALE 1 : 5**



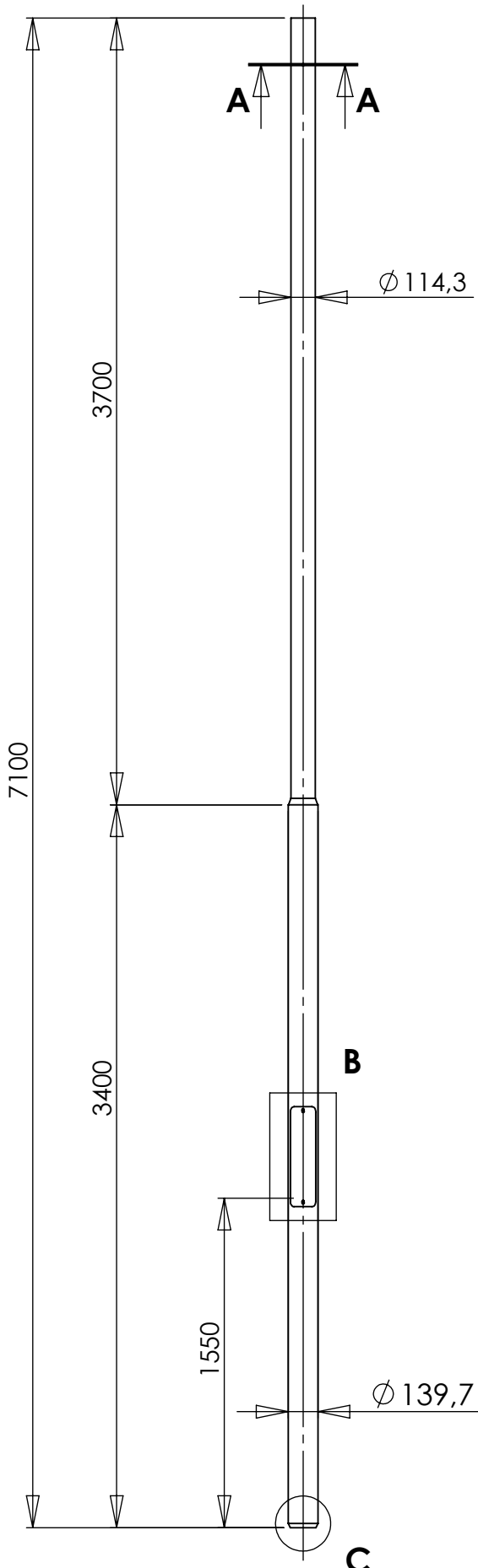
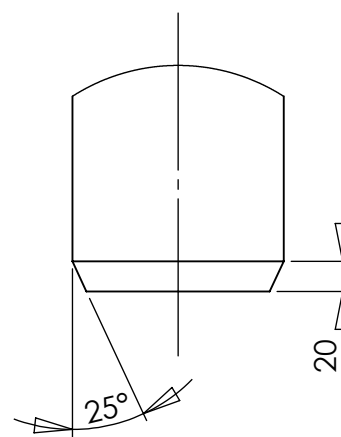
**DETAIL B  
SCALE 1 : 5**



**SECTION C-C  
SCALE 1 : 5**



**DETAIL C  
SCALE 1 : 5**



Raw Material = 77.88 kg  
Area : 2,92 m<sup>2</sup>

REV	CREATED BY	DATE	DESCRIPTION	APPROVED BY	DATE
0	ta.maatta	4.5.2022	CREATE A LAYOUT	jo.innanen	4.5.2022
			Nikkarintie 4 FI-51200 Kangasniemi Finland Tel +358 15 337 7770 www.tehomet.com	THIS DRAWING IS PROPERTY OF VALMONT INDUSTRIES AND MUST NOT BE USED, COPIED OR PRODUCED WITHOUT VALMONT'S WRITTEN CONSENT	
MATERIAL :		CUSTOMER :		CALCULATION NUMBER :	PART NUMBER :
FINISH : GALV EN ISO 1461		B208O 4608202 OLAKERUNKO		DRAWING NUMBER :	REVISION
GENERAL TOLERANCE ± : EN40			A3	SCALE 1:30	110110KXXX B208O

8  
7  
6  
5  
4  
3  
2  
1

D C B A