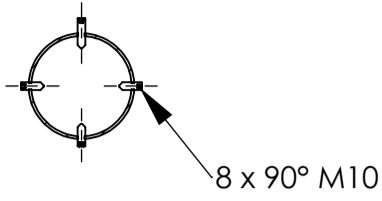
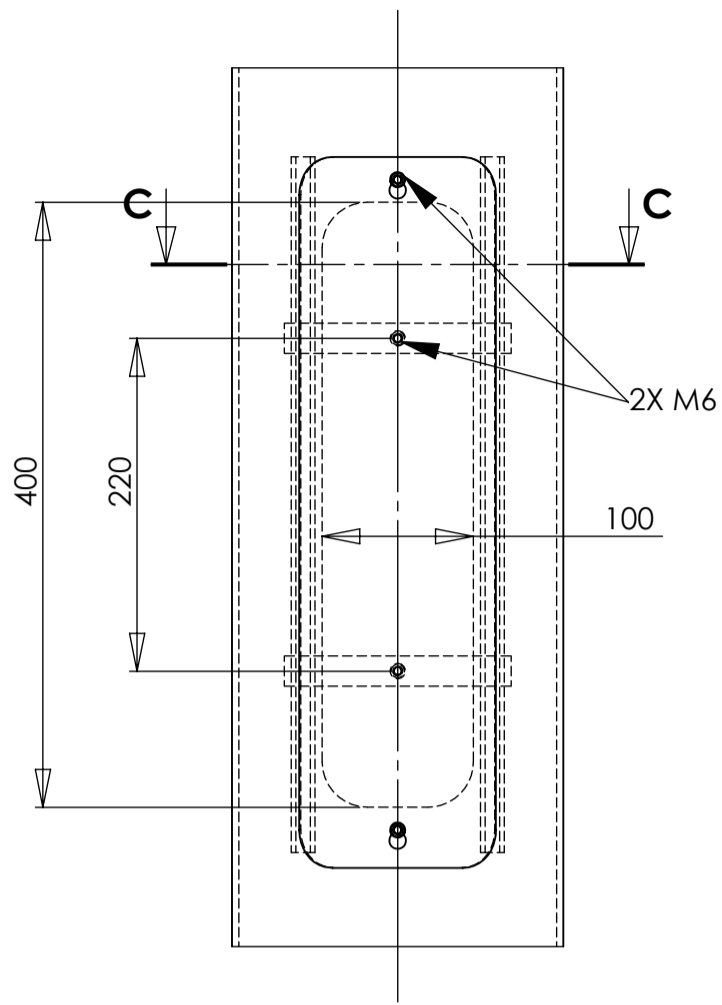


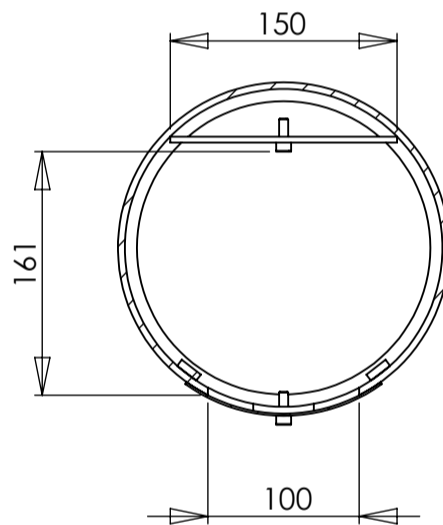
**SECTION A-A  
SCALE 1 : 10**



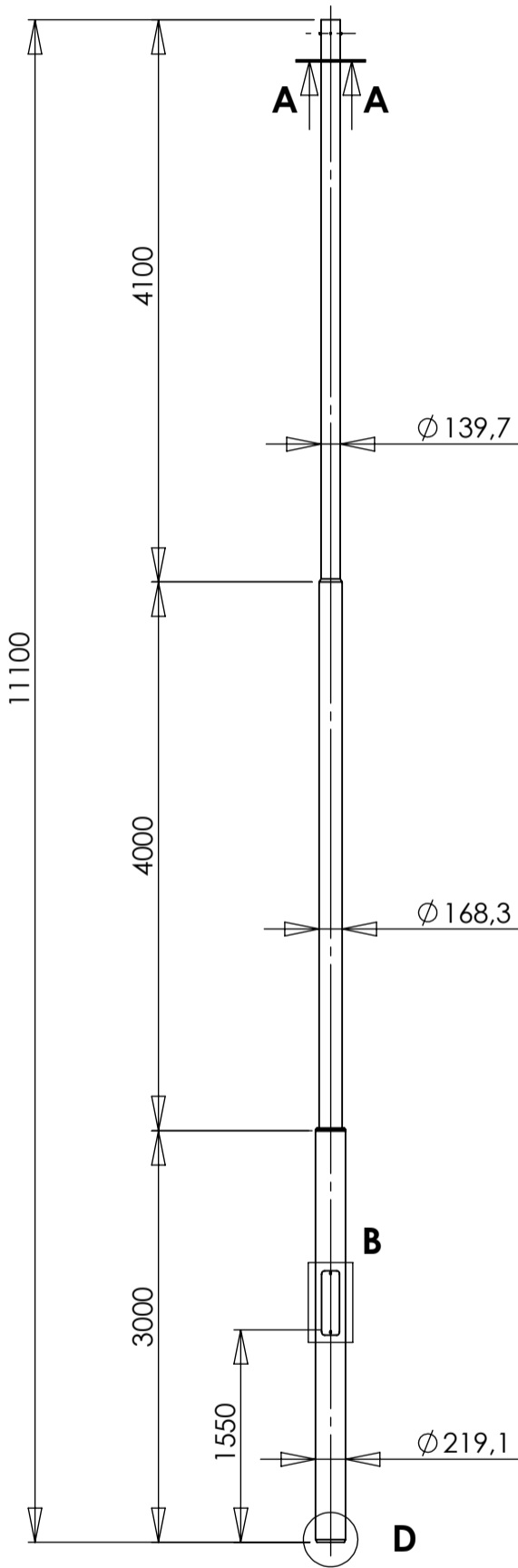
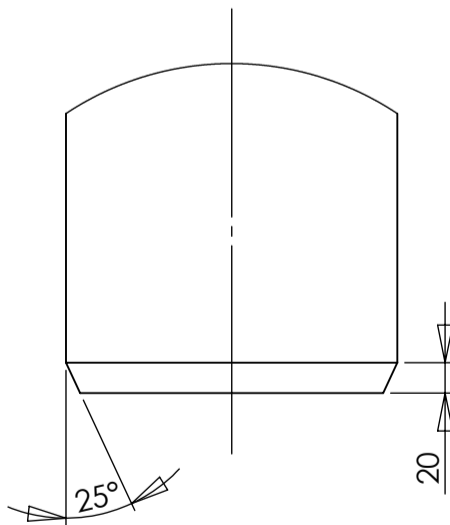
**DETAIL B  
SCALE 1 : 5**



**SECTION C-C  
SCALE 1 : 5**



**DETAIL D  
SCALE 1 : 5**



REV	CREATED BY	DATE	DESCRIPTION	APPROVED BY	DATE
0	ta.maatta	5.5.2022	CREATE A LAYOUT	jo.innanen	5.5.2022
			Nikkarintie 4 FI-51200 Kangasniemi Finland Tel +358 15 337 7770 www.tehomet.com	THIS DRAWING IS PROPERTY OF VALMONT INDUSTRIES AND MUST NOT BE USED, COPIED OR PRODUCED WITHOUT VALMONT'S WRITTEN CONSENT	
MATERIAL :		CUSTOMER :		CALCULATION NUMBER :	PART NUMBER :
FINISH : GALV EN ISO 1461		C3120 OLAKERUNKO 4608223		DRAWING NUMBER :	REVISION
GENERAL TOLERANCE $\pm$ : EN40			A3	SCALE 1:50	110180KXXX C3120

Raw Material = 189.66 kg  
Area : 6,08 m<sup>2</sup>

8  
7  
6  
5  
4  
3  
2  
1

D C B A