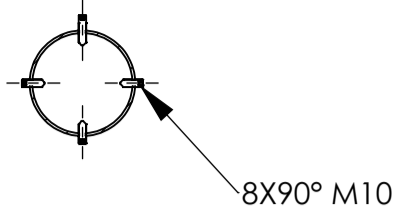
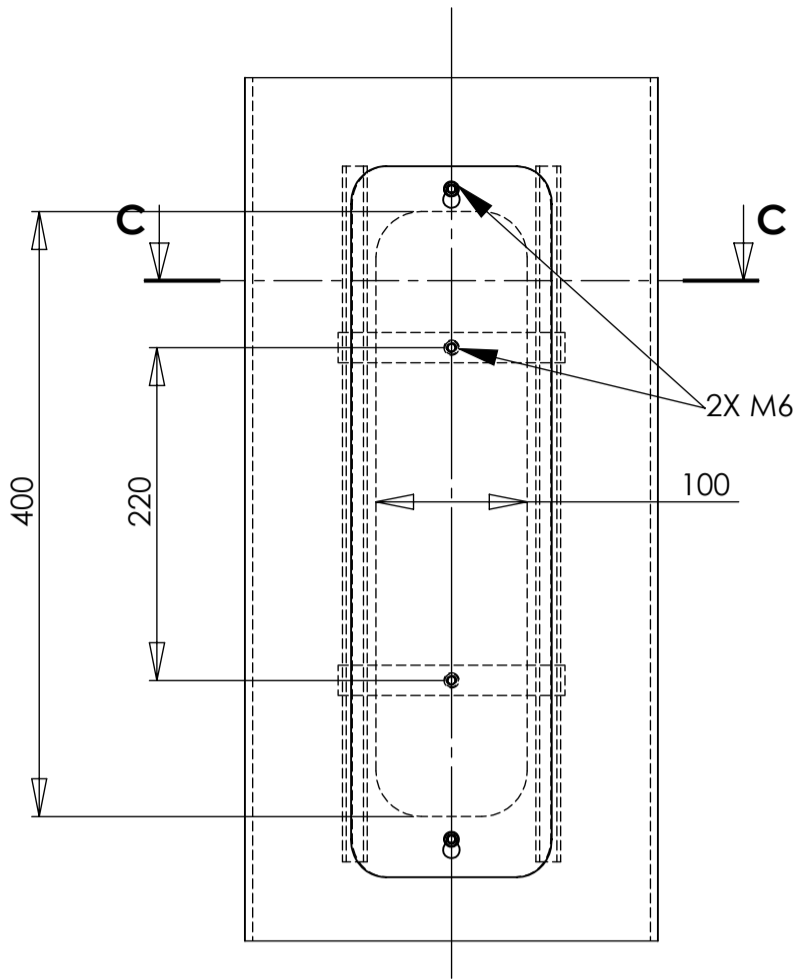


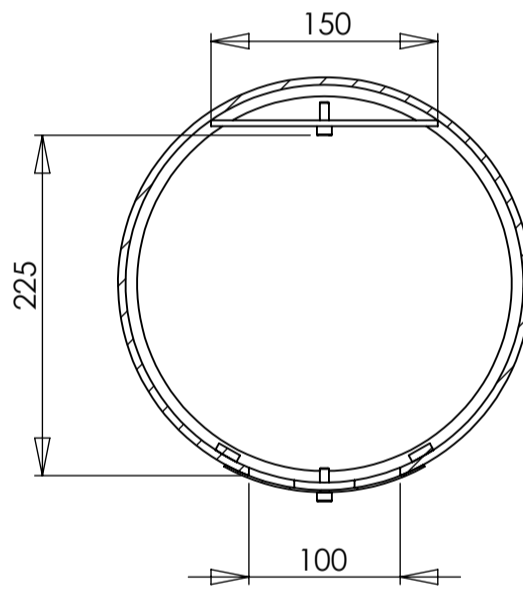
**SECTION A-A  
SCALE 1 : 10**



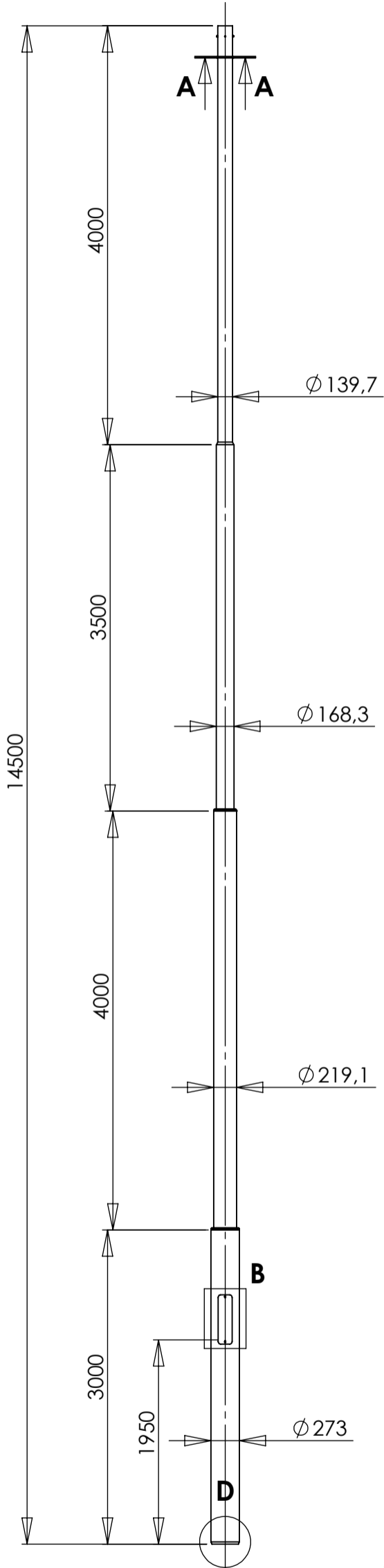
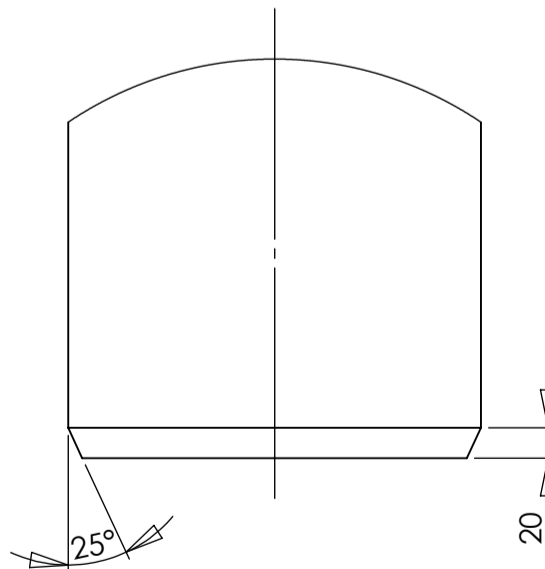
**DETAIL B  
SCALE 1 : 5**



**SECTION C-C  
SCALE 1 : 5**



**DETAIL D  
SCALE 1 : 5**



Raw Material = 297.81 kg  
Area : 9,06 m<sup>2</sup>

REV	CREATED BY	DATE	DESCRIPTION	APPROVED BY	DATE
0	ta.maatta	5.5.2022	CREATE A LAYOUT	jo.innanen	5.5.2022
			Nikkarintie 4 FI-51200 Kangasniemi Finland <a href="http://www.tehomet.com">www.tehomet.com</a>	THIS DRAWING IS PROPERTY OF VALMONT INDUSTRIES AND MUST NOT BE USED, COPIED OR PRODUCED WITHOUT VALMONT'S WRITTEN CONSENT	
MATERIAL :		CUSTOMER :		CALCULATION NUMBER :	PART NUMBER :
FINISH : GALV EN ISO 1461		C3150 OLAKERUNKO 4608232		DRAWING NUMBER : 110210KXXX	
GENERAL TOLERANCE ± : EN40			A3	SCALE 1:50	REVISION
				C3150	1/1

D

C

B

A