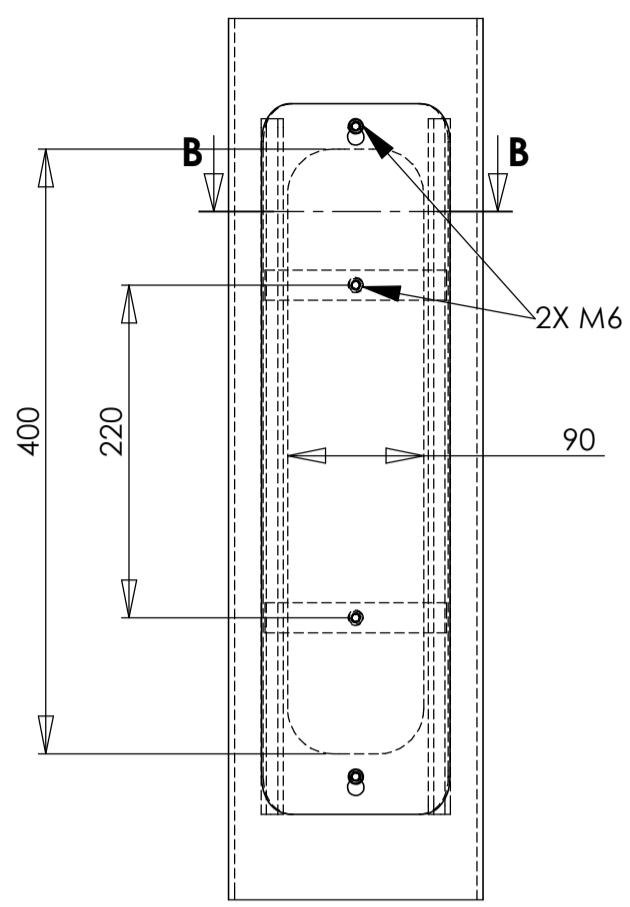
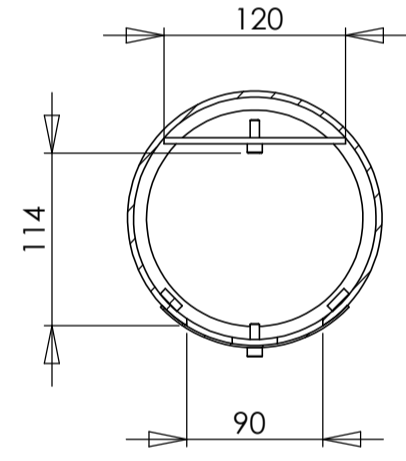


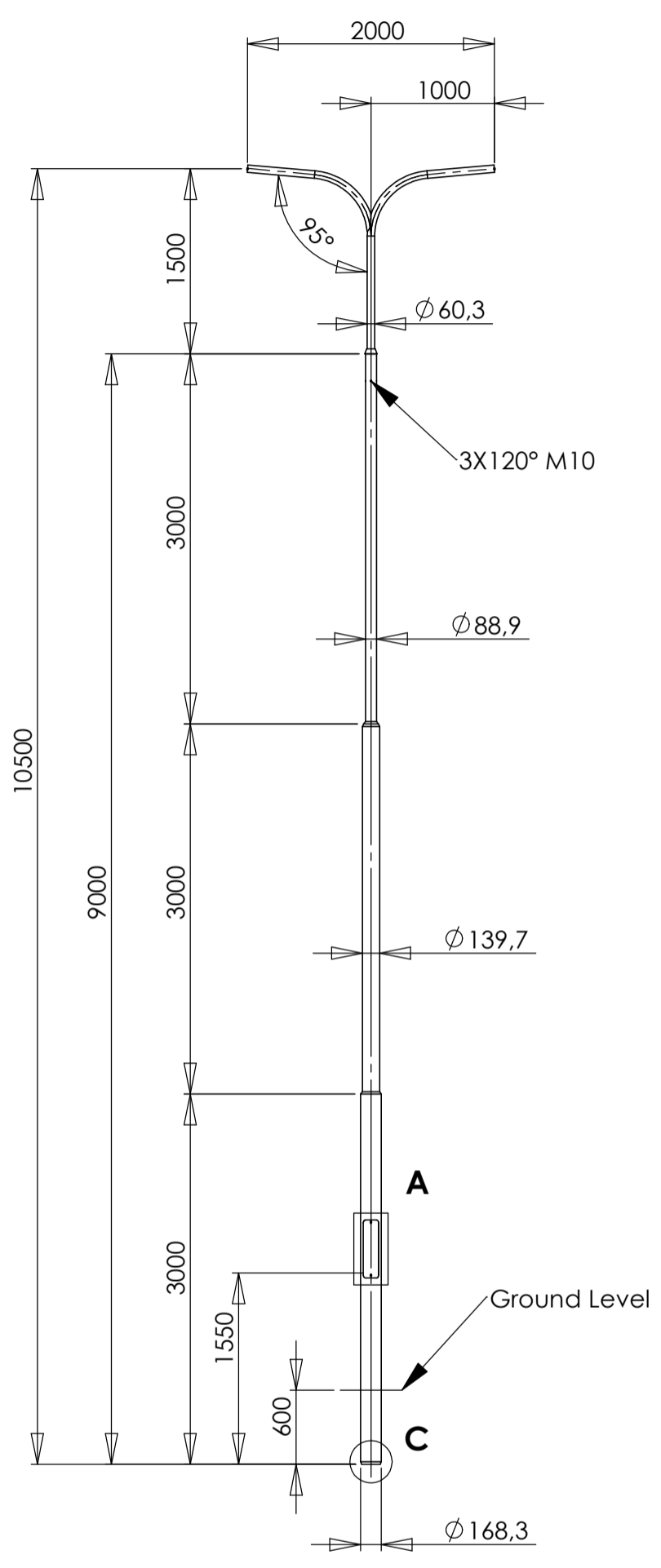
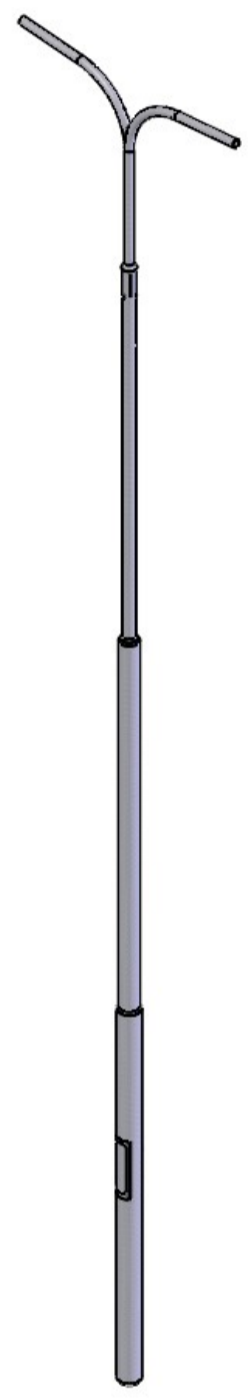
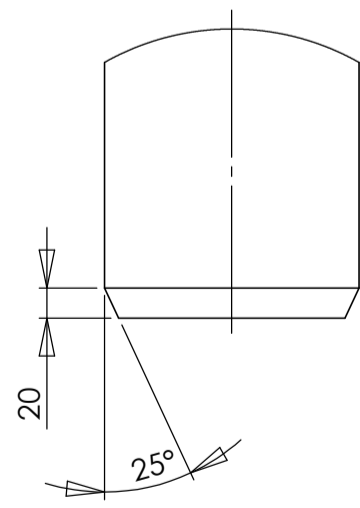
**DETAIL A
SCALE 1 : 5**



**SECTION B-B
SCALE 1 : 5**



**DETAIL C
SCALE 1 : 5**



| REV | CREATED BY | DATE | DESCRIPTION | APPROVED BY | DATE |
|--------------------------------------------------------------------------------------|------------|---------------------------------------------|---------------------------------------------------------------------------------------------|------------------------------------------------------------------------------------------------------------------------------------------|----------------------|
| 0 | ta.maatta | 12.5.2022 | CREATE A LAYOUT | jo.innanen | 12.5.2022 |
|  | | | Nikkarintie 4 FI-51200 Kangasniemi Finland Tel +358 15 337 7770 www.tehomet.com | THIS DRAWING IS PROPERTY OF VALMONT INDUSTRIES AND MUST NOT BE USED, COPIED OR PRODUCED WITHOUT VALMONT'S WRITTEN CONSENT SHEET : 1/1 | |
| MATERIAL : | | CUSTOMER : | | CALCULATION NUMBER : | PART NUMBER : |
| FINISH : GALV EN ISO 1461 | | T110B110O 4608160 T-VARTINEN OLAKEPYLVÄS | | DRAWING NUMBER : | REVISION |
| GENERAL TOLERANCE ± : EN40 | | | A3 | SCALE 1:50 | 110620KGXS T110B110O |

Raw Material = 120.95 kg
Area : 4,56 m²

8
7
6
5
4
3
2
1

8
7
6
5
4
3
2
1

D C B A