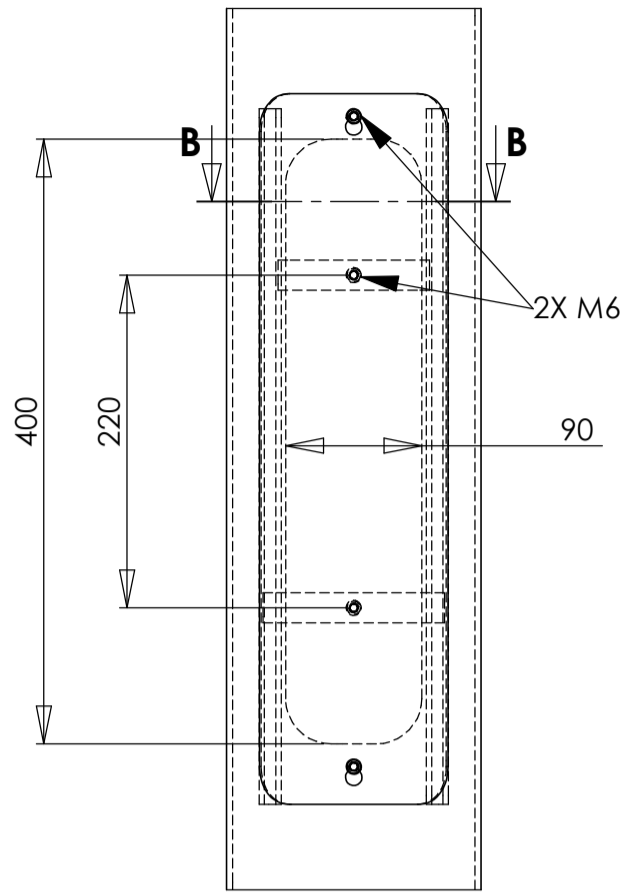
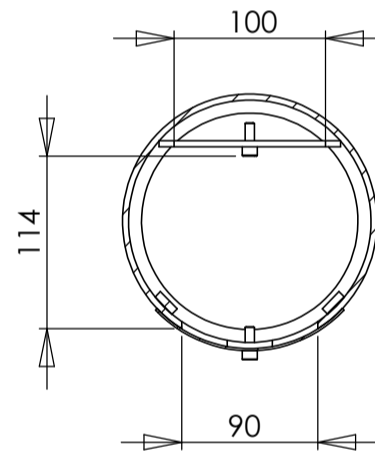


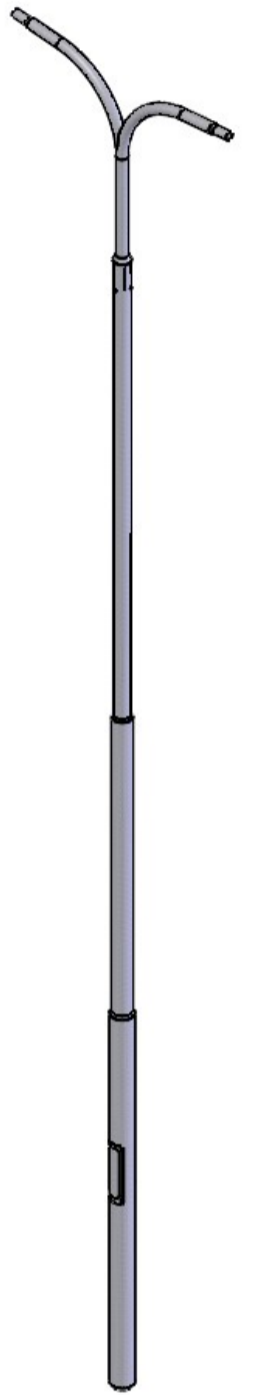
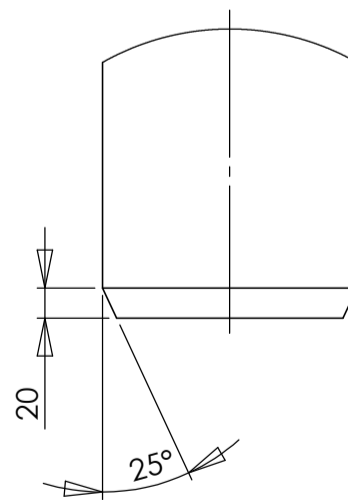
**DETAIL A  
SCALE 1 : 5**



**SECTION B-B  
SCALE 1 : 5**



**DETAIL C  
SCALE 1 : 5**



REV	CREATED BY	DATE	DESCRIPTION	APPROVED BY	DATE
0	ta.maatta	12.5.2022	CREATE A LAYOUT	jo.innanen	12.5.2022
		Nikkarintie 4 FI-51200 Kangasniemi Finland		Tel +358 15 337 7770 www.tehomet.com	
MATERIAL :		CUSTOMER :		CALCULATION NUMBER :	
FINISH : GALV EN ISO 1461		T210B210O 4608163 T-VARTINEN OLAKEPYLVÄS		PART NUMBER :	
Raw Material = 133.71 kg Area : 5,00 m <sup>2</sup>		GENERAL TOLERANCE ± : EN40		DRAWING NUMBER : 110630KGXS T210B210O	
		A3		SCALE 1:50	
				REVISION	
				1/1	

D

C

B

A