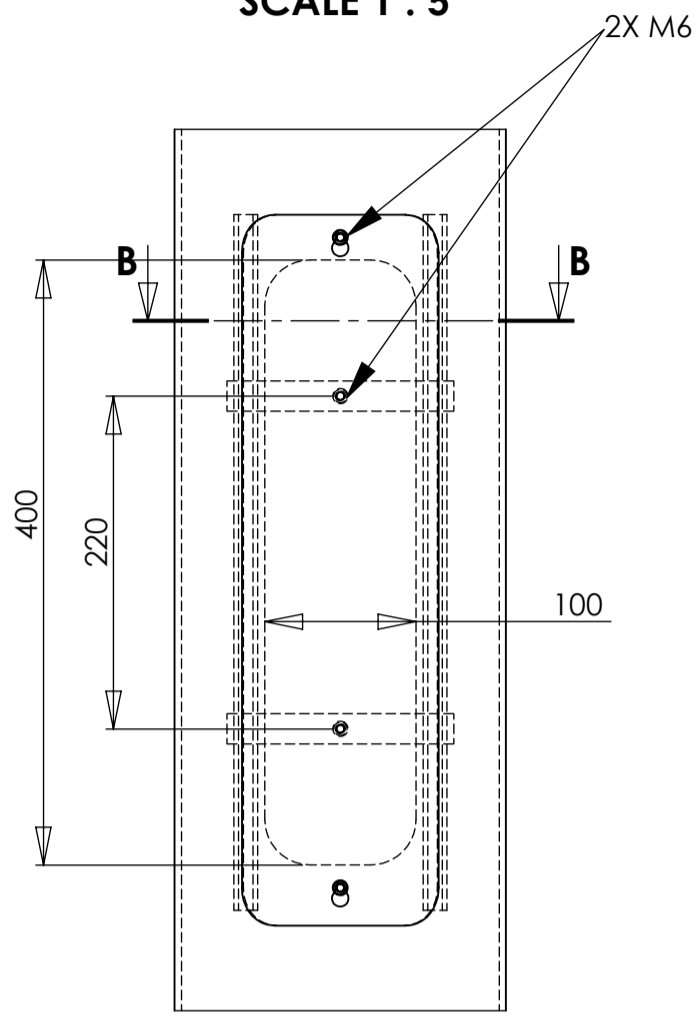
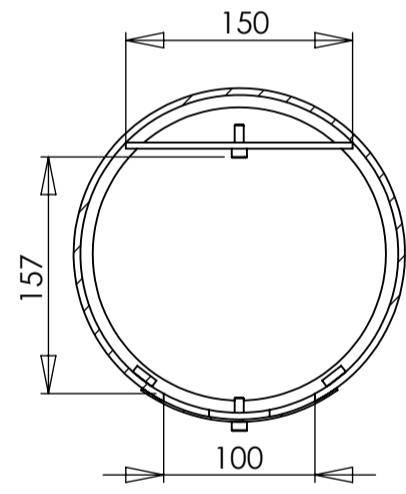


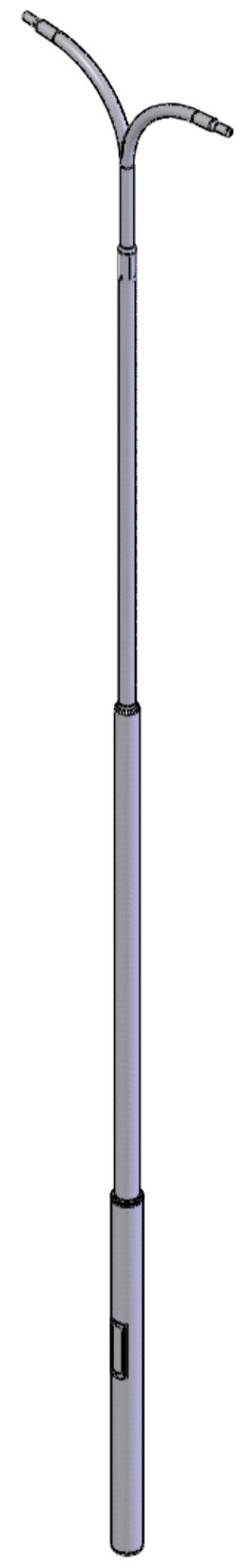
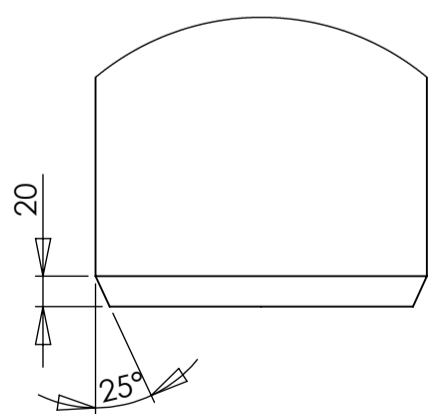
**DETAIL A
SCALE 1 : 5**



**SECTION B-B
SCALE 1 : 5**



**DETAIL C
SCALE 1 : 5**



Raw Material = 205.35 kg
 Area : 7,02 m²

REV	CREATED BY	DATE	DESCRIPTION	APPROVED BY	DATE
0	ta.maatta	12.5.2022	CREATE A LAYOUT	jo.innanen	12.5.2022
			Nikkarintie 4 FI-51200 Kangasniemi Finland Tel +358 15 337 7770 www.tehomet.com	THIS DRAWING IS PROPERTY OF VALMONT INDUSTRIES AND MUST NOT BE USED, COPIED OR PRODUCED WITHOUT VALMONT'S WRITTEN CONSENT SHEET : 1/1	
MATERIAL :		CUSTOMER :		CALCULATION NUMBER :	PART NUMBER :
FINISH : GALV EN ISO 1461		T310B212O 4608175 T-VARTINEN OLAKEPYLVÄS		DRAWING NUMBER : 110670KGSX T310B212O	
GENERAL TOLERANCE ± : EN40			A3	SCALE 1:50	REVISION