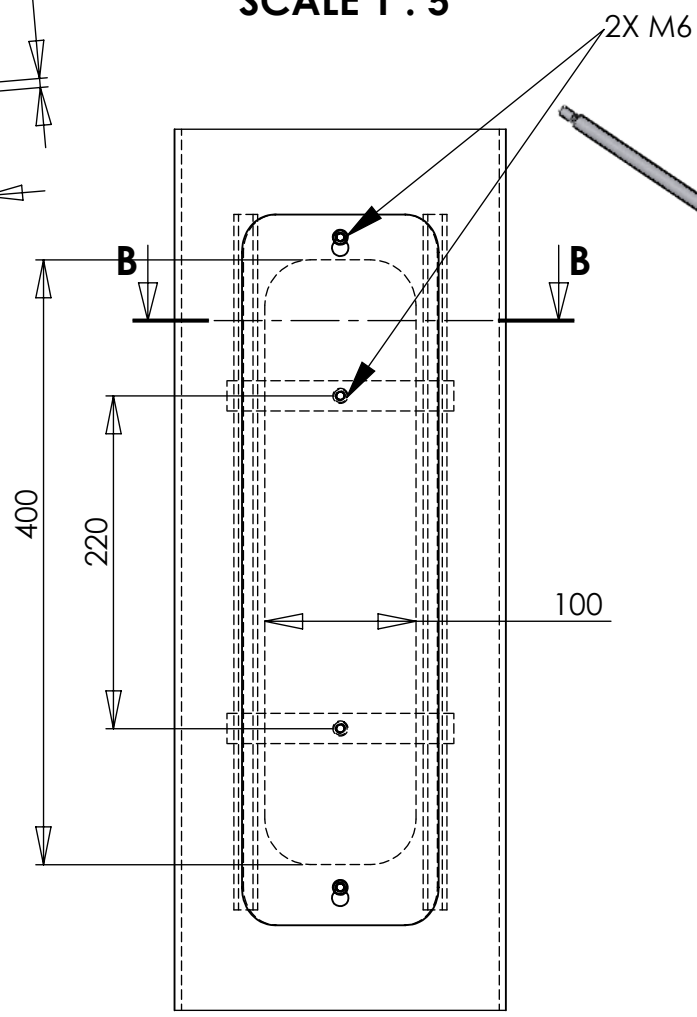
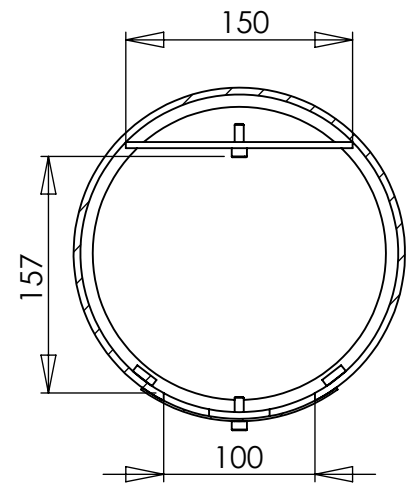


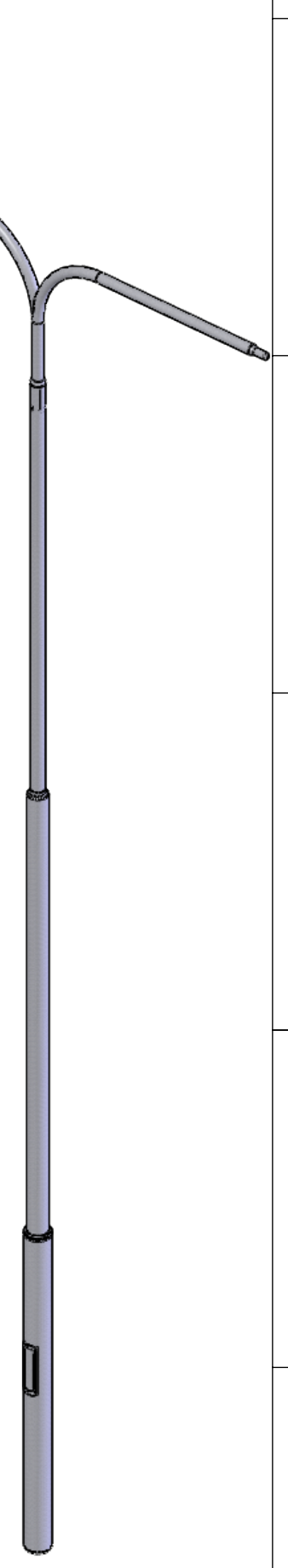
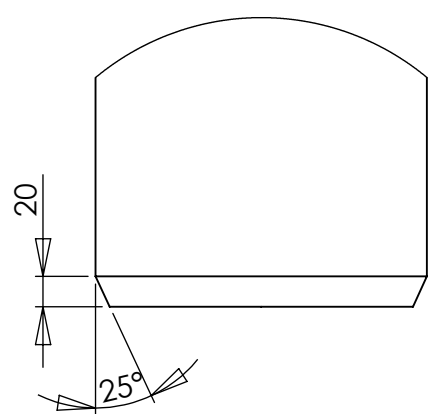
**DETAIL A
SCALE 1 : 5**



**SECTION B-B
SCALE 1 : 5**



**DETAIL C
SCALE 1 : 5**



Raw Material = 223.91 kg
 Area : 7,71 m²

| REV | CREATED BY | DATE | DESCRIPTION | APPROVED BY | DATE |
|--|------------|---|---|--|---------------|
| 0 | ta.maatta | 12.5.2022 | CREATE A LAYOUT | jo.innanen | 12.5.2022 |
|  | | | Nikkarintie 4 FI-51200 Kangasniemi Finland Tel +358 15 337 7770 www.tehomet.com | THIS DRAWING IS PROPERTY OF VALMONT INDUSTRIES AND MUST NOT BE USED, COPIED OR PRODUCED WITHOUT VALMONT'S WRITTEN CONSENT SHEET : 1/1 | |
| MATERIAL : | | CUSTOMER : | | CALCULATION NUMBER : | PART NUMBER : |
| FINISH : GALV EN ISO 1461 | | T325B212O 4608178 T-VARTINEN OLAKEPYLVÄS | | DRAWING NUMBER : 110680KGXS T325B212O | |
| GENERAL TOLERANCE ± : EN40 | | | A3 | SCALE 1:50 | REVISION |