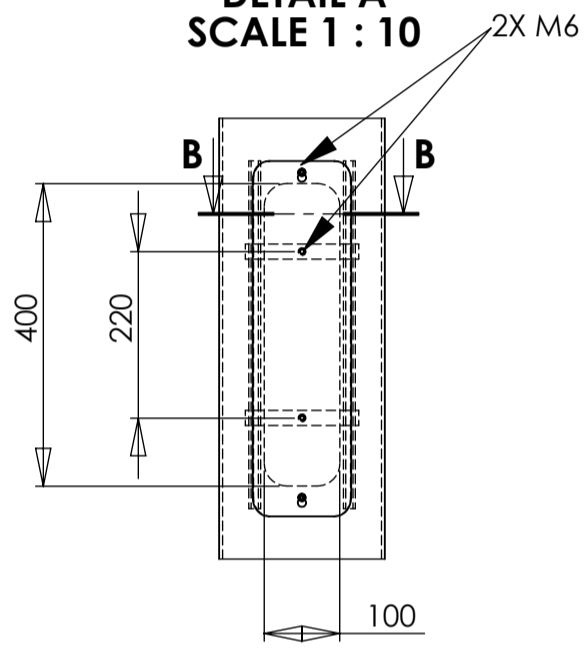
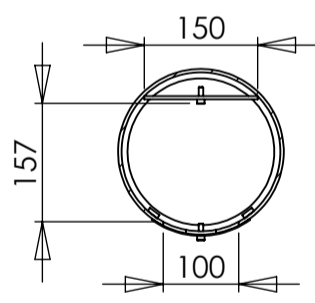


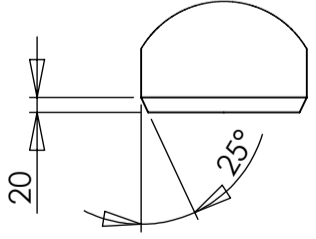
DETAIL A
SCALE 1 : 10



SECTION B-B
SCALE 1 : 10



DETAIL C
SCALE 1 : 10



REV	CREATED BY	DATE	DESCRIPTION	APPROVED BY	DATE
0	ta.maatta	12.5.2022	CREATE A LAYOUT	jo.innanen	12.5.2022
			Nikkarintie 4 FI-51200 Kangasniemi Finland Tel +358 15 337 7770 www.tehomet.com	THIS DRAWING IS PROPERTY OF VALMONT INDUSTRIES AND MUST NOT BE USED, COPIED OR PRODUCED WITHOUT VALMONT'S WRITTEN CONSENT	
MATERIAL :		CUSTOMER :		CALCULATION NUMBER :	PART NUMBER :
FINISH : GALV EN ISO 1461		T140C312O 4608184 T-VARTINEN OLAKEPYLVÄS		DRAWING NUMBER : 110700KGSX T140C312O	
GENERAL TOLERANCE ± : EN40			A3	SCALE 1:50	REVISION

Raw Material = 251.27 kg
Area : 8,87 m²

8
7
9
5
4
3
2
1

D C B A