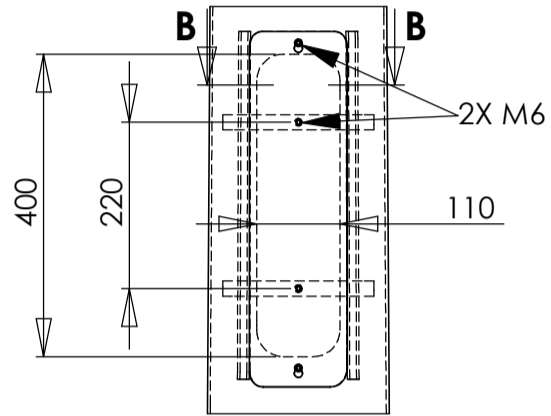
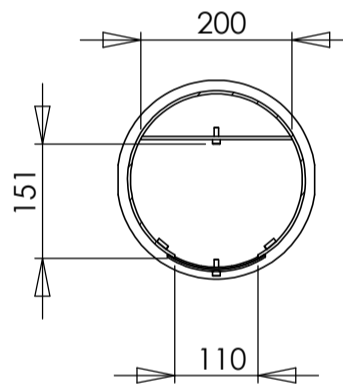


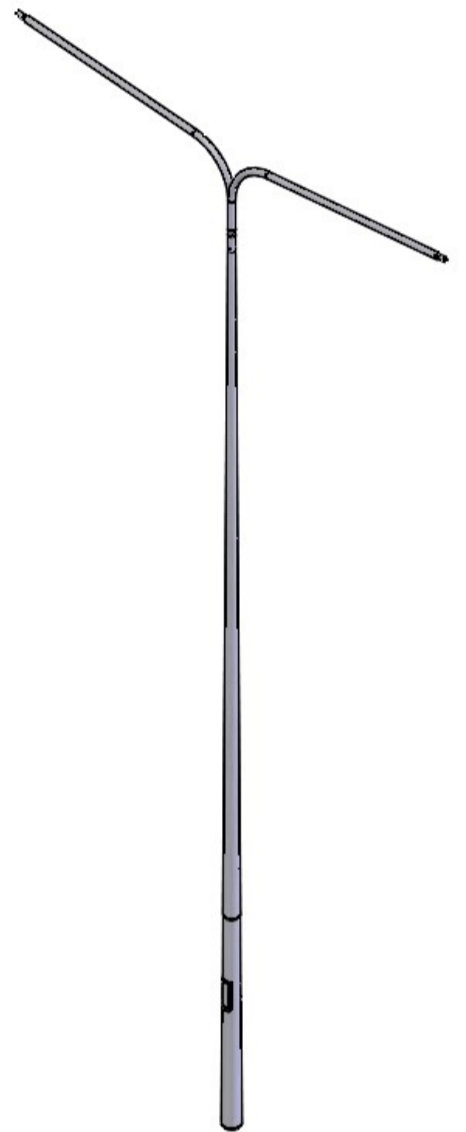
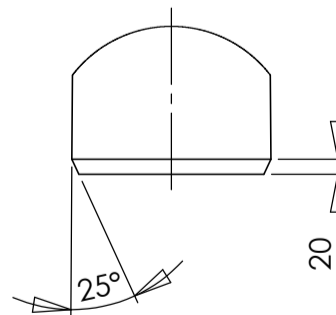
**DETAIL A  
SCALE 1 : 10**



**SECTION B-B  
SCALE 1 : 10**



**DETAIL C  
SCALE 1 : 10**



Raw Material = 306.44 kg  
Area : 10.79 m<sup>2</sup>

REV	CREATED BY	DATE	DESCRIPTION	APPROVED BY	DATE
0	ta.maatta	9.5.2022	CREATE A LAYOUT	jo.innanen	9.5.2022
			Nikkarintie 4 FI-51200 Kangasniemi Finland <a href="http://www.tehomet.com">www.tehomet.com</a>	THIS DRAWING IS PROPERTY OF VALMONT INDUSTRIES AND MUST NOT BE USED, COPIED OR PRODUCED WITHOUT VALMONT'S WRITTEN CONSENT	
MATERIAL :		CUSTOMER :		CALCULATION NUMBER :	PART NUMBER :
FINISH : GALV EN ISO 1461		T140C315K 4607926 T-VARTINEN KARTIOPYLVÄS		DRAWING NUMBER : 100940KGXS T140C315K	
GENERAL TOLERANCE ± : EN40			A3	SCALE 1:100	REVISION

SHEET :  
1/1

D

C

B

A