

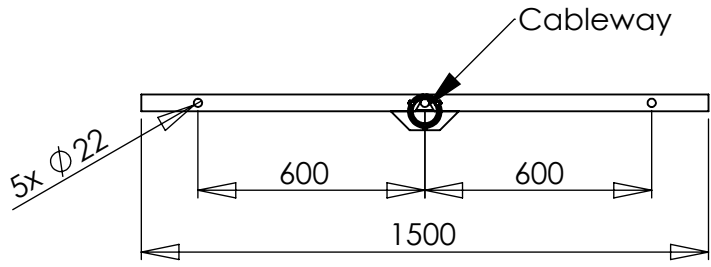
D

C

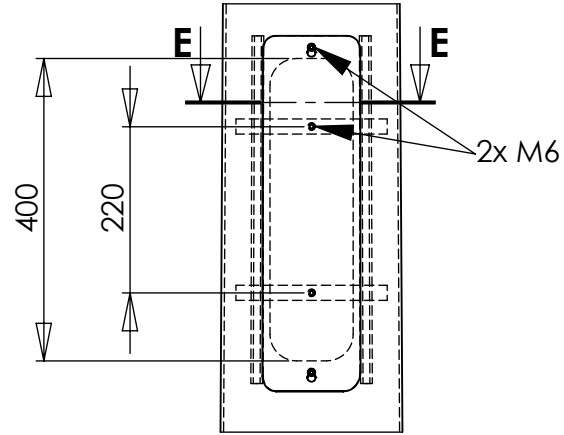
B

A

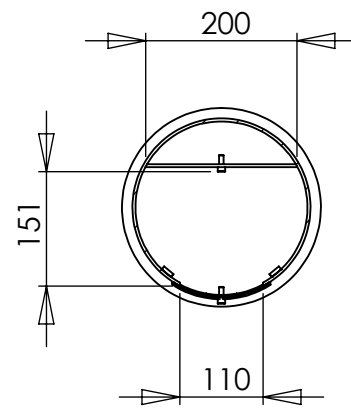
SECTION F-F SCALE 1 : 20



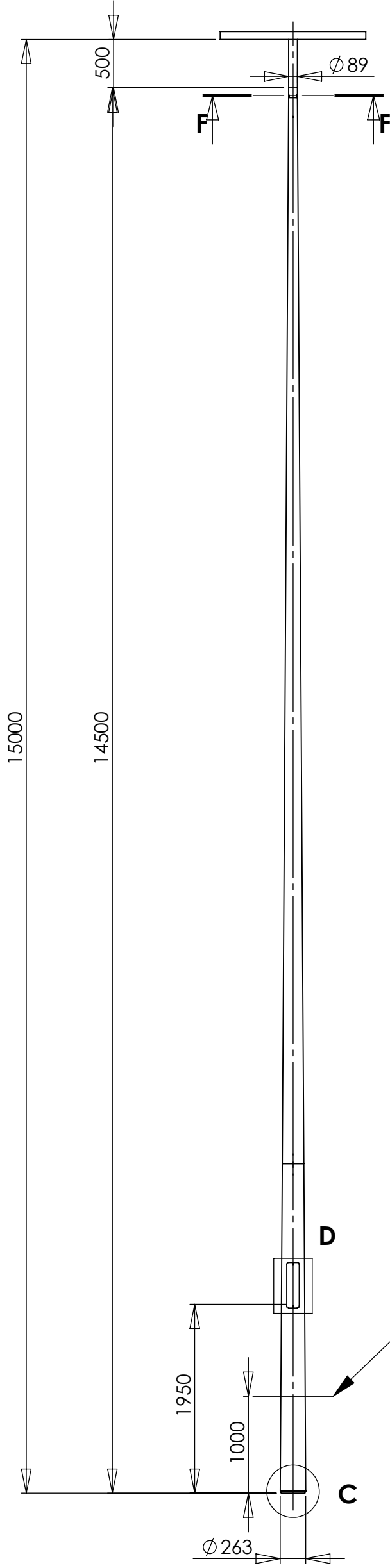
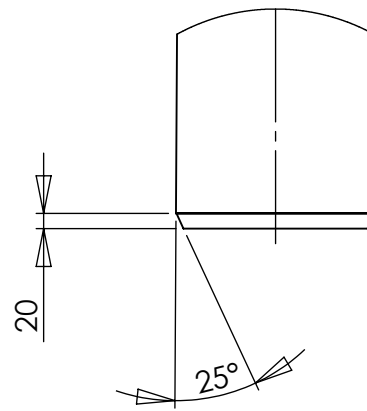
DETAIL D SCALE 1 : 10



SECTION E-E SCALE 1 : 10



DETAIL C SCALE 1 : 10



Raw Material = 223.67 kg
Area : 8.83 m²

REV	CREATED BY	DATE	DESCRIPTION	APPROVED BY	DATE
0	ta.maatta	1.6.2022	CREATE A LAYOUT	jo.innanen	1.6.2022
			Nikkarintie 4 FI-51200 Kangasniemi Finland www.tehomet.com	THIS DRAWING IS PROPERTY OF VALMONT INDUSTRIES AND MUST NOT BE USED, COPIED OR PRODUCED WITHOUT VALMONT'S WRITTEN CONSENT SHEET : 1/1	
MATERIAL :		CUSTOMER :		CALCULATION NUMBER :	PART NUMBER :
FINISH : GALV EN ISO 1461		KH14TO15/89 4608028 KARTIOPYLVÄS ORRELLA		DRAWING NUMBER : 101030KGXS KH14TO15	
GENERAL TOLERANCE ± : EN40			A3	SCALE 1:50	REVISION

D

C

B

A

8
7
6
5
4
3
2
1