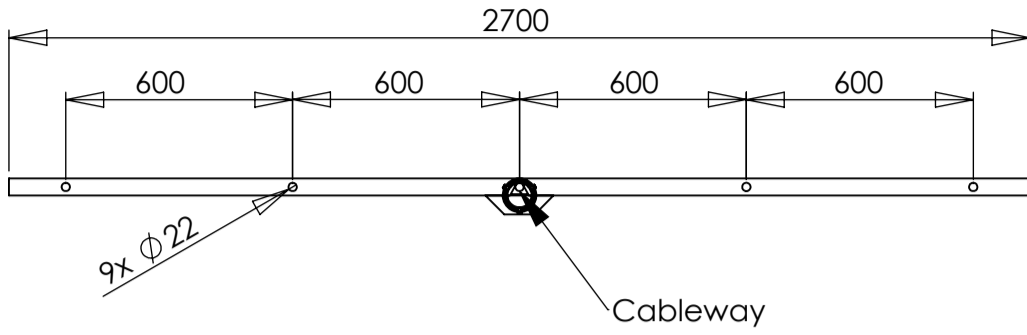
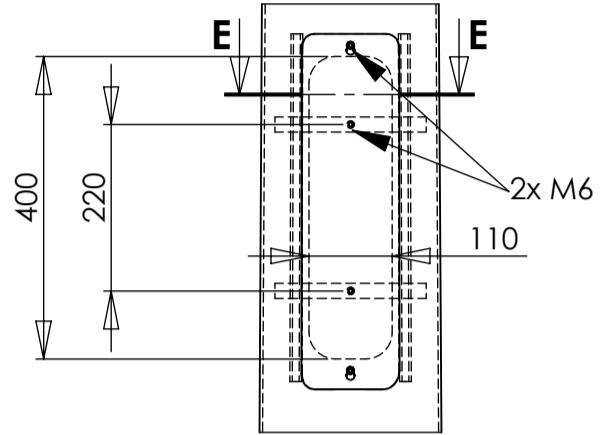


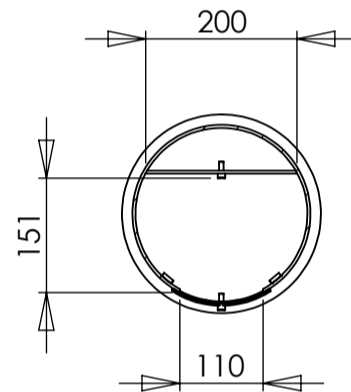
**SECTION F-F  
SCALE 1 : 20**



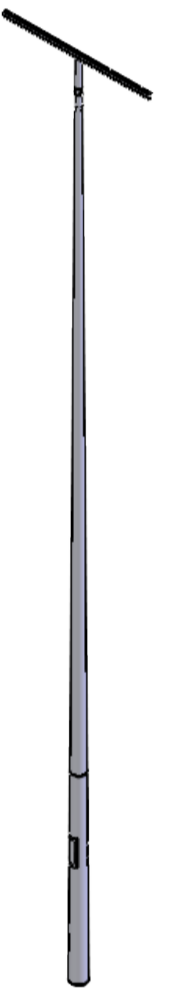
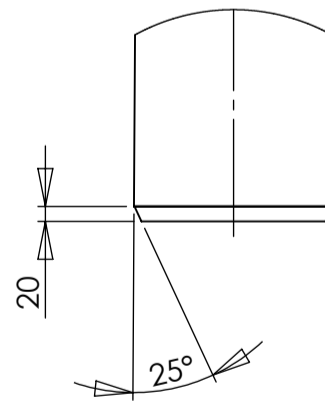
**DETAIL D  
SCALE 1 : 10**



**SECTION E-E  
SCALE 1 : 10**



**DETAIL C  
SCALE 1 : 10**



Raw Material = 274.48 kg  
Area : 9.2 m<sup>2</sup>

REV	CREATED BY	DATE	DESCRIPTION	APPROVED BY	DATE
0	ta.maatta	1.6.2022	CREATE A LAYOUT	jo.innanen	1.6.2022
		Nikkarintie 4 FI-51200 Kangasniemi Finland Tel +358 15 337 7770 www.tehomet.com		THIS DRAWING IS PROPERTY OF VALMONT INDUSTRIES AND MUST NOT BE USED, COPIED OR PRODUCED WITHOUT VALMONT'S WRITTEN CONSENT	
MATERIAL :		CUSTOMER :		CALCULATION NUMBER :	PART NUMBER :
FINISH : GALV EN ISO 1461		KH14TO27/89 4608031 KARTIOPYLVÄS ORRELLA		DRAWING NUMBER :	REVISION
GENERAL TOLERANCE ± : EN40			A3	SCALE 1:100	101040KGXS KH14TO27

SHEET :  
1/1

1