

D

C

B

A

8

7

6

5

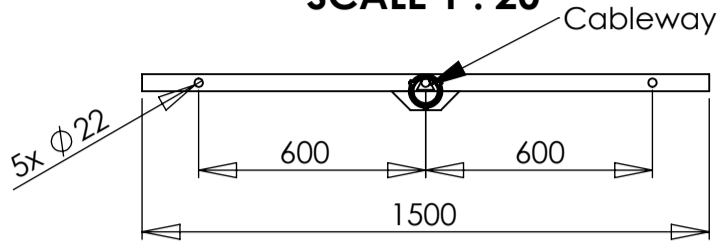
4

3

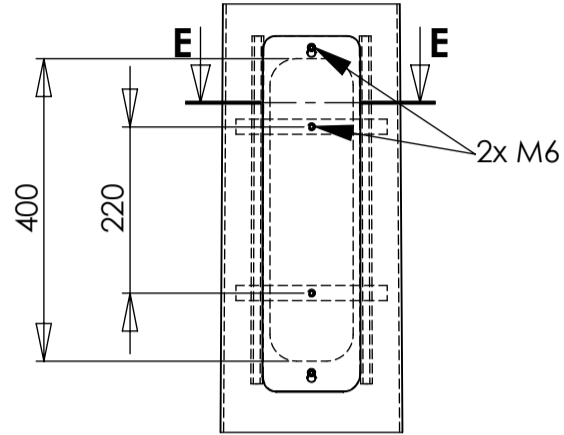
2

1

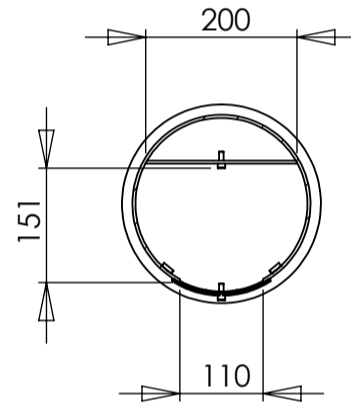
SECTION F-F SCALE 1 : 20



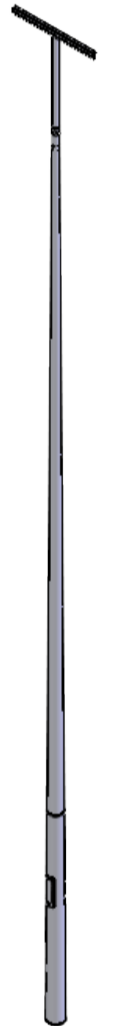
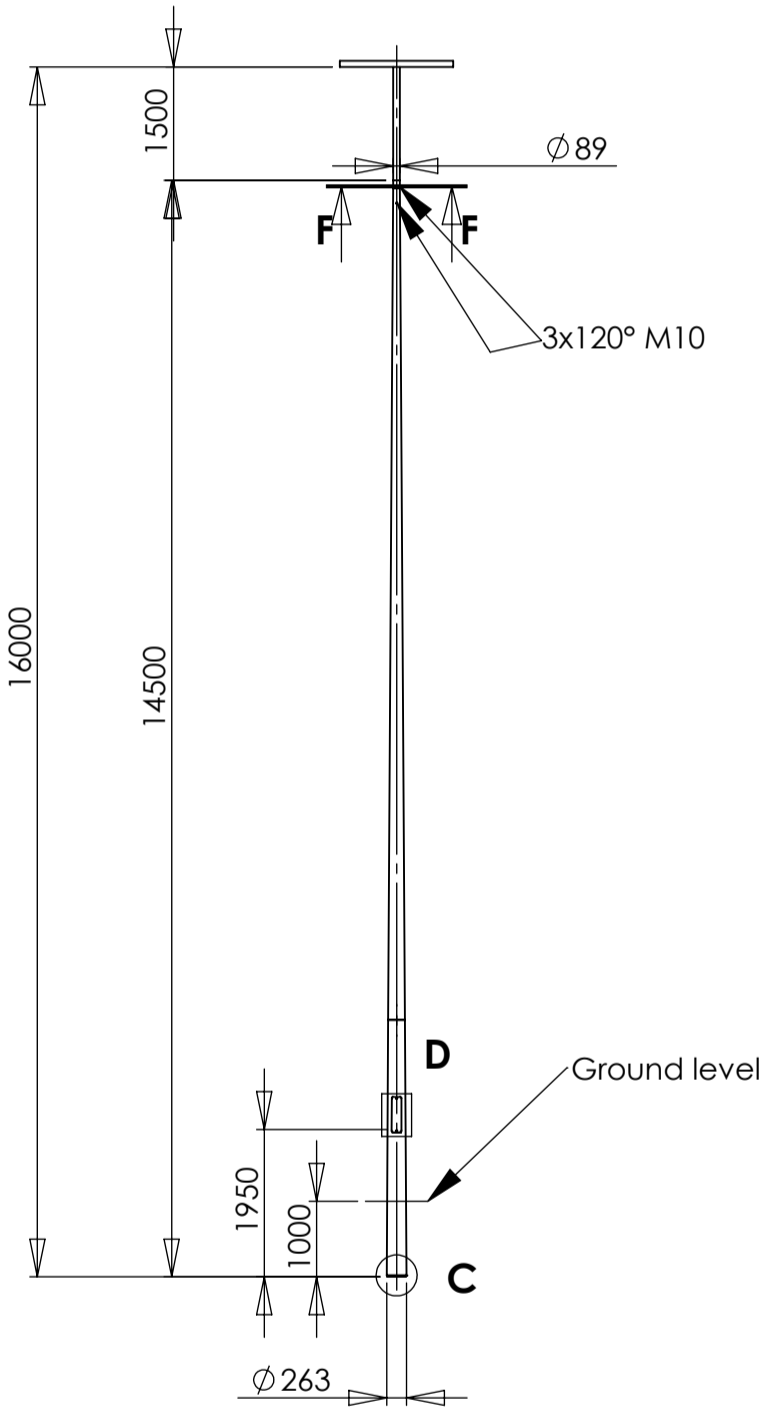
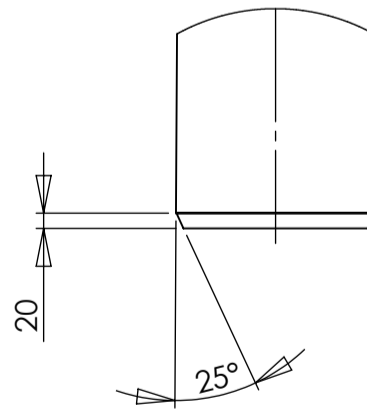
DETAIL D SCALE 1 : 10



SECTION E-E SCALE 1 : 10



DETAIL C SCALE 1 : 10



REV	CREATED BY	DATE	DESCRIPTION	APPROVED BY	DATE
0	ta.maatta	1.6.2022	CREATE A LAYOUT	jo.innanen	1.6.2022
			Nikkarintie 4 FI-51200 Kangasniemi Finland Tel +358 15 337 7770 www.tehomet.com	THIS DRAWING IS PROPERTY OF VALMONT INDUSTRIES AND MUST NOT BE USED, COPIED OR PRODUCED WITHOUT VALMONT'S WRITTEN CONSENT SHEET : 1/1	
MATERIAL :		CUSTOMER :		CALCULATION NUMBER :	PART NUMBER :
FINISH : GALV EN ISO 1461		KH15TO15/89 4608034 KARTIOPYLVÄS ORRELLA		DRAWING NUMBER :	REVISION
GENERAL TOLERANCE ± : EN40			A3	SCALE 1:100	101050KGXS KH15TO15

Raw Material = 230.43 kg
Area : 9.1 m²

D

C

B

A

8

7

6

5

4

3

2

1