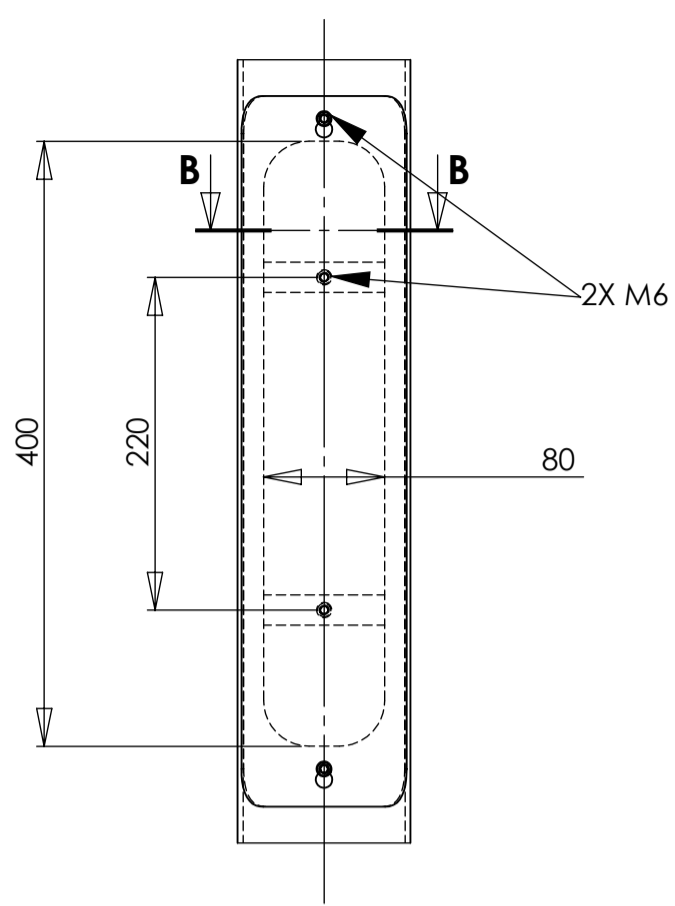
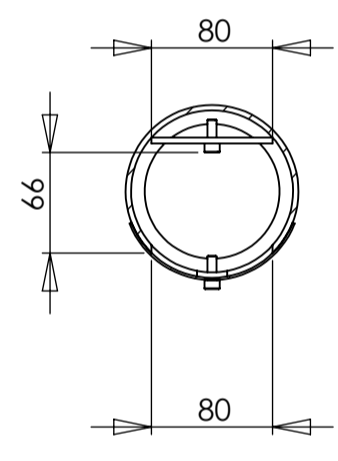


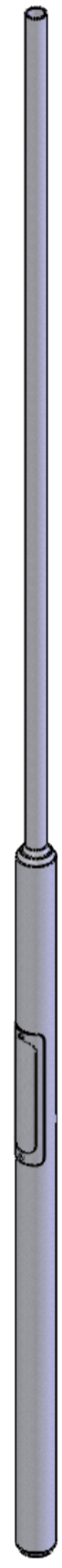
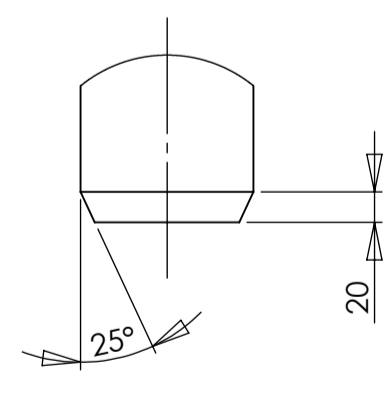
**DETAIL A
SCALE 1 : 5**



**SECTION B-B
SCALE 1 : 5**



**DETAIL C
SCALE 1 : 5**



Raw Material = 36.79 kg
Area : 1,04 m²

REV	CREATED BY	DATE	DESCRIPTION	APPROVED BY	DATE
0	ta.maatta	6.5.2022	CREATE A LAYOUT	jo.innanen	6.5.2022

 TEHOMET <small>A VALMONT COMPANY</small>	Nikkarintie 4 FI-51200 Kangasniemi Finland		Tel +358 15 337 7770 www.tehomet.com	THIS DRAWING IS PROPERTY OF VALMONT INDUSTRIES AND MUST NOT BE USED, COPIED OR PRODUCED WITHOUT VALMONT'S WRITTEN CONSENT	SHEET : 1/1
	MATERIAL : FINISH : GALV EN ISO 1461	CUSTOMER : A205SO 4608085 SUORA OLAKEPYLVÄS		CALCULATION NUMBER : 110020KXXX	PART NUMBER : A205SO

GENERAL TOLERANCE ± : EN40		A3	SCALE 1:20		110020KXXX	A205SO	
----------------------------	--	----	------------	---	------------	--------	--

D C B A