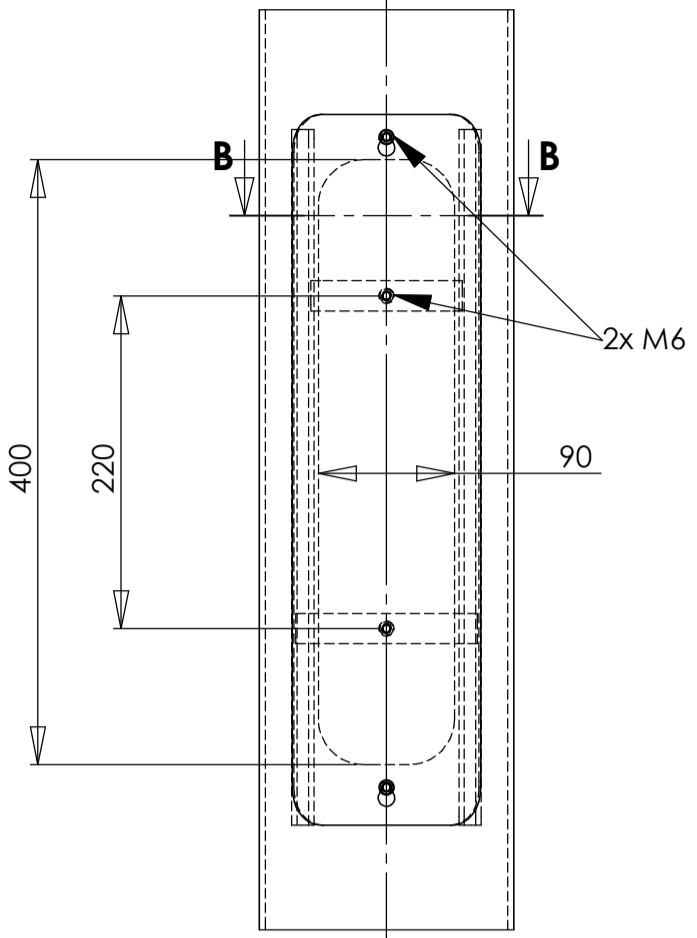
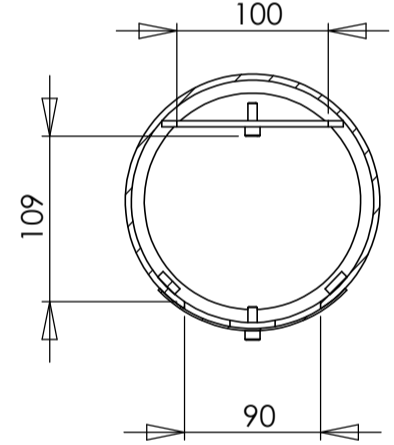


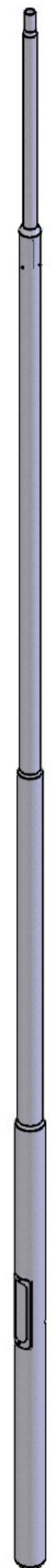
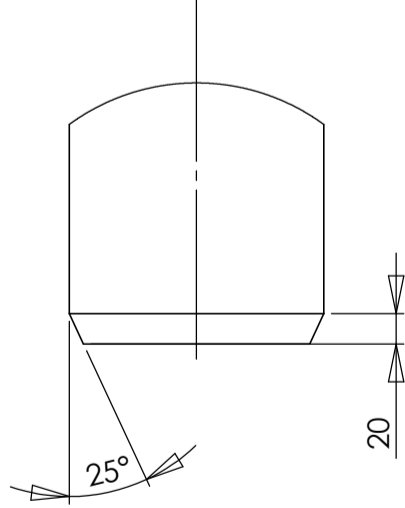
**DETAIL A
SCALE 1 : 5**



**SECTION B-B
SCALE 1 : 5**



**DETAIL C
SCALE 1 : 5**



Raw Material = 123.93 kg
Area : 4,50 m²

REV	CREATED BY	DATE	DESCRIPTION	APPROVED BY	DATE
0	ta.maatta	9.5.2022	CREATE A LAYOUT	jo.innanen	9.5.2022

TEHOMET <small>A valmont COMPANY</small>		Nikkarintie 4 FI-51200 Kangasniemi Finland		Tel +358 15 337 7770 www.tehomet.com		THIS DRAWING IS PROPERTY OF VALMONT INDUSTRIES AND MUST NOT BE USED, COPIED OR PRODUCED WITHOUT VALMONT'S WRITTEN CONSENT		SHEET : 1/1	
MATERIAL :		CUSTOMER :				CALCULATION NUMBER :		PART NUMBER :	
FINISH : GALV EN ISO 1461		S200B210O 4608097 S-VARTINEN OLAKEPYLVÄS				DRAWING NUMBER :		REVISION	
GENERAL TOLERANCE ± : EN40		A3		SCALE 1:30		110320KGXS		S200B210O	

8
7
6
5
4
3
2
1

8
7
6
5
4
3
2
1

D C B A