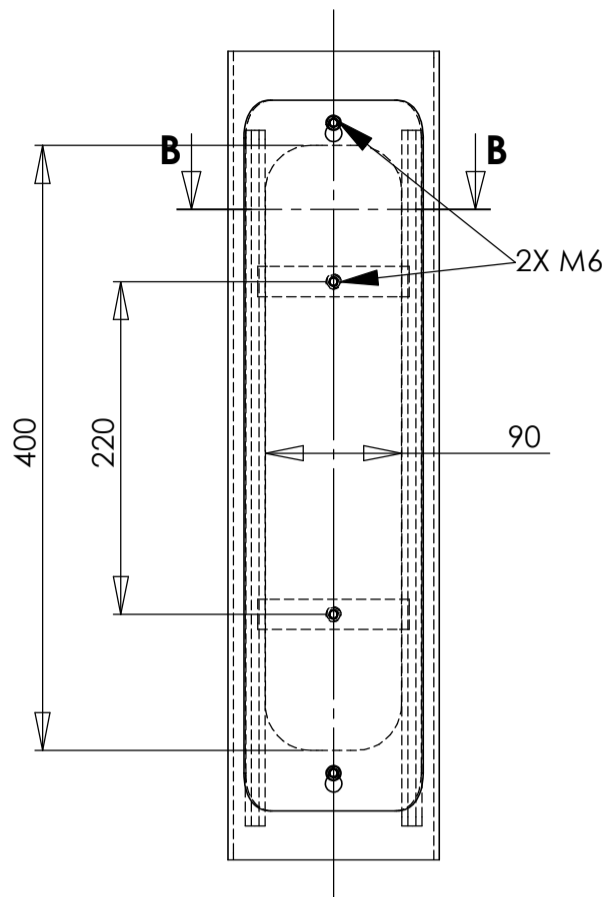
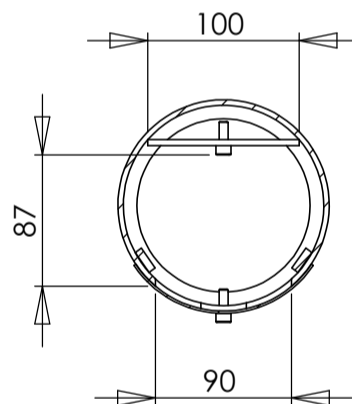


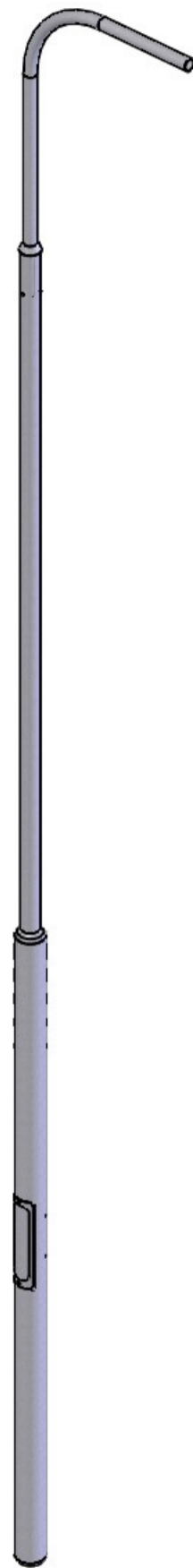
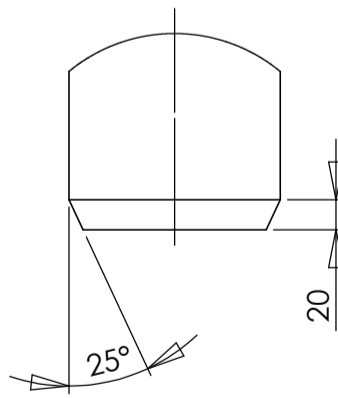
**DETAIL A**  
SCALE 1 : 5



**SECTION B-B**  
SCALE 1 : 5



**DETAIL C**  
SCALE 1 : 5



Raw Material = 74.14 kg  
Area : 3,10 m<sup>2</sup>

REV	CREATED BY	DATE	DESCRIPTION	APPROVED BY	DATE	
0	ta.maatta	12.5.2022	CREATE A LAYOUT	jo.innanen	12.5.2022	
			Nikkarintie 4 FI-51200 Kangasniemi Finland Tel +358 15 337 7770 www.tehomet.com		THIS DRAWING IS PROPERTY OF VALMONT INDUSTRIES AND MUST NOT BE USED, COPIED OR PRODUCED WITHOUT VALMONT'S WRITTEN CONSENT	SHEET : <b>1/1</b>
MATERIAL :		CUSTOMER :		CALCULATION NUMBER :		
FINISH : GALV EN ISO 1461		P110B108O 4608115 P-VARTINEN OLAKEPYLVÄS		PART NUMBER :		
GENERAL TOLERANCE ± : EN40			A3	SCALE 1:30	DRAWING NUMBER : <b>110400KGXS P110B108O</b>	
					REVISION	

D

C

B

A