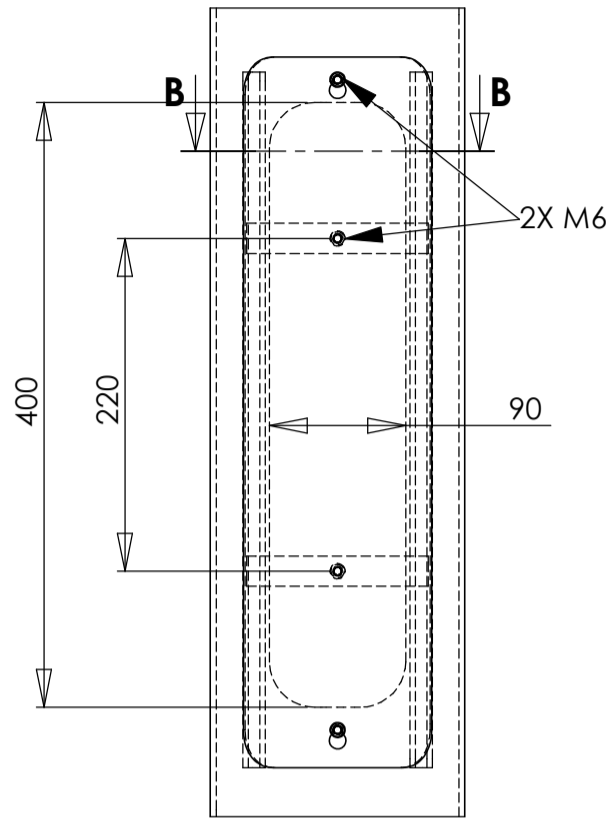
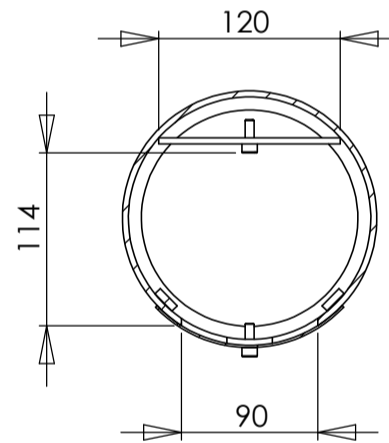


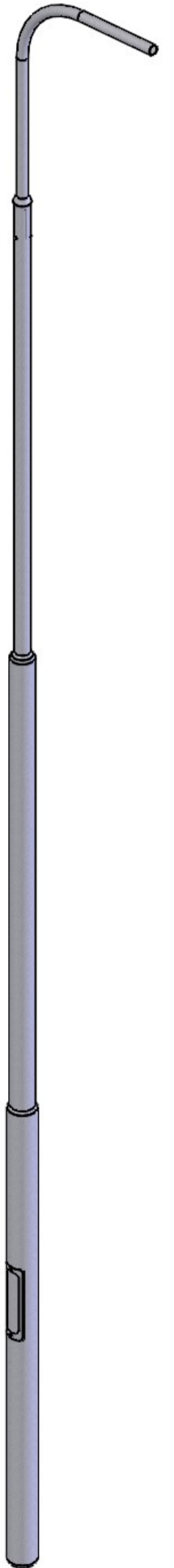
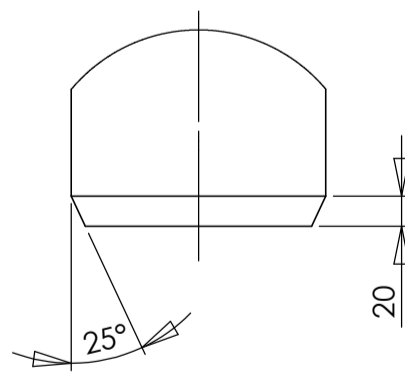
**DETAIL A  
SCALE 1 : 5**



**SECTION B-B  
SCALE 1 : 5**



**DETAIL C  
SCALE 1 : 5**



Raw Material = 116.23 kg  
Area : 4,32 m<sup>2</sup>

REV	CREATED BY	DATE	DESCRIPTION	APPROVED BY	DATE	
0	ta.maatta	12.5.2022	CREATE A LAYOUT	jo.innanen	12.5.2022	
			Nikkarintie 4 FI-51200 Kangasniemi Finland Tel +358 15 337 7770 www.tehomet.com		THIS DRAWING IS PROPERTY OF VALMONT INDUSTRIES AND MUST NOT BE USED, COPIED OR PRODUCED WITHOUT VALMONT'S WRITTEN CONSENT	SHEET : 1/1
MATERIAL :		CUSTOMER :			CALCULATION NUMBER :	PART NUMBER :
FINISH : GALV EN ISO 1461		P110B110O 4608124 P-VARTINEN OLAKEPYLVÄS			DRAWING NUMBER : 110430KGXS P110B110O	
GENERAL TOLERANCE ± : EN40			A3	SCALE 1:30	REVISION	

D C B A