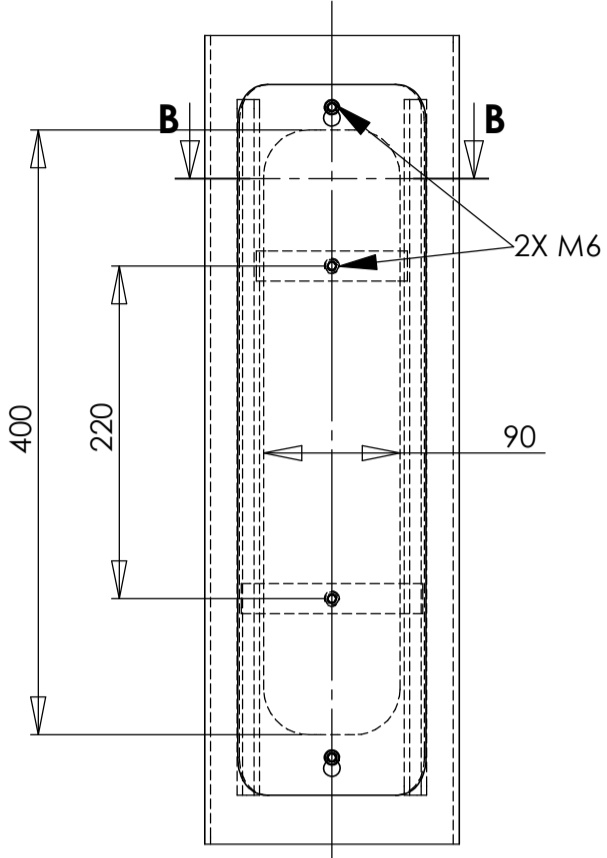
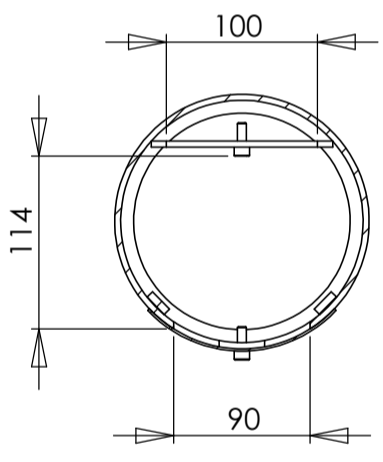


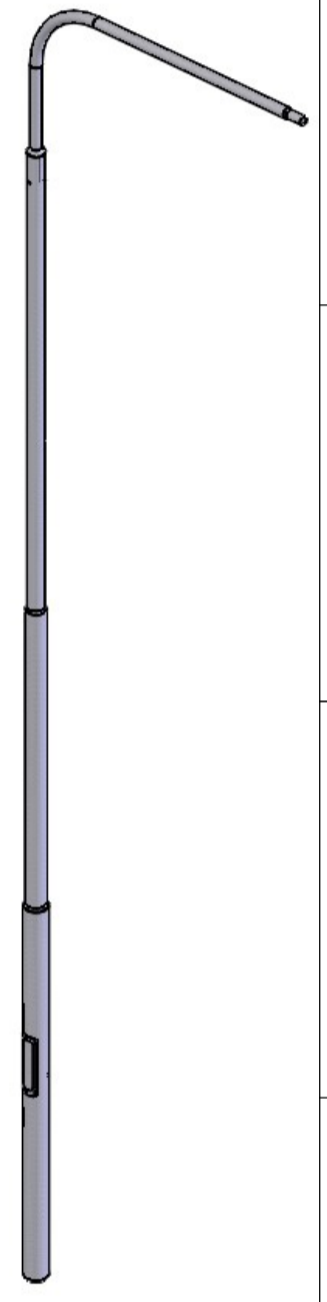
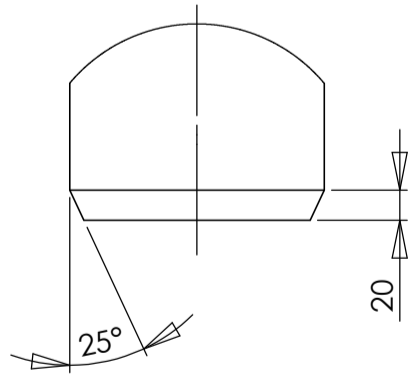
**DETAIL A  
SCALE 1 : 5**



**SECTION B-B  
SCALE 1 : 5**



**DETAIL C  
SCALE 1 : 5**



Raw Material = 134.77 kg  
Area : 5,00 m<sup>2</sup>

REV	CREATED BY	DATE	DESCRIPTION	APPROVED BY	DATE
0	ta.maatta	12.5.2022	CREATE A LAYOUT	jo.innanen	12.5.2022

 <b>TEHOMET</b> A valmont COMPANY	Nikkarintie 4 FI-51200 Kangasniemi Finland		Tel +358 15 337 7770 <a href="http://www.tehomet.com">www.tehomet.com</a>	THIS DRAWING IS PROPERTY OF VALMONT INDUSTRIES AND MUST NOT BE USED, COPIED OR PRODUCED WITHOUT VALMONT'S WRITTEN CONSENT	SHEET : <b>1/1</b>
	MATERIAL :	CUSTOMER :		CALCULATION NUMBER :	PART NUMBER :
FINISH : GALV EN ISO 1461	P225B2100 4608133 P-VARTINEN OLAKEPYLVÄS		DRAWING NUMBER : 110460KGXS P225B2100		REVISION
GENERAL TOLERANCE ± : EN40			A3	SCALE 1:30	