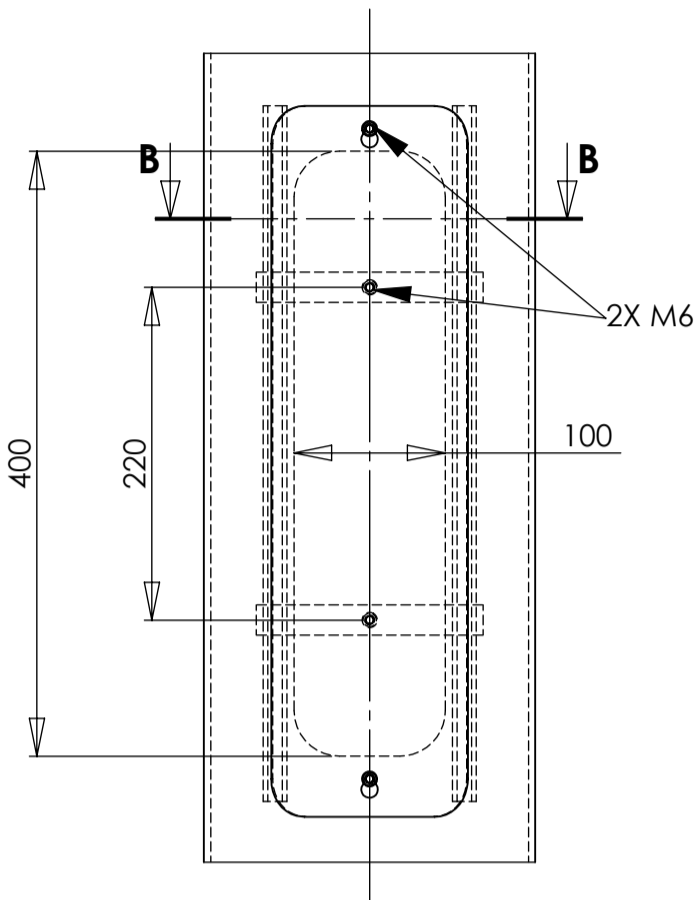
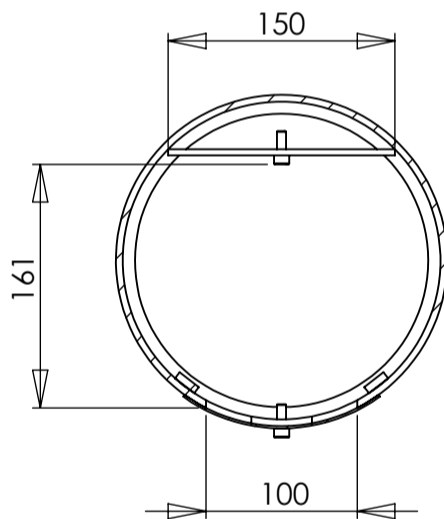


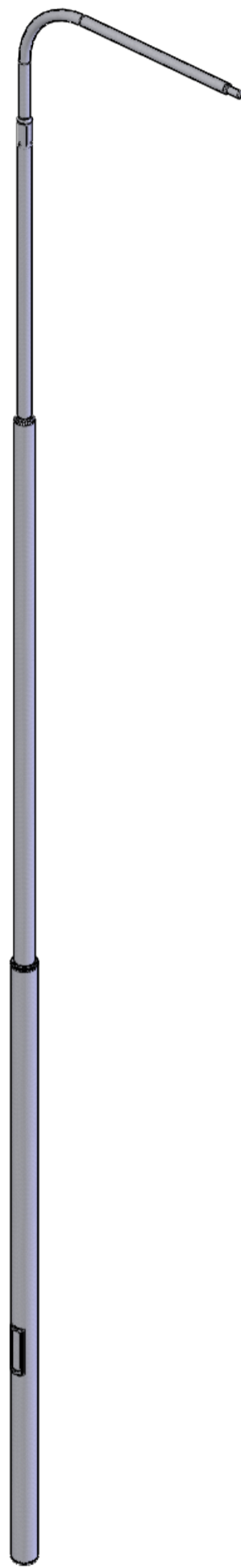
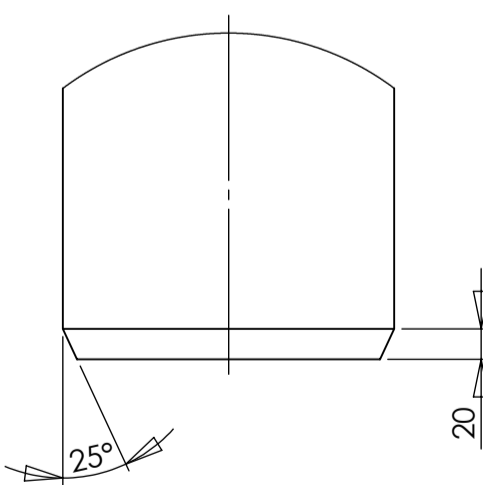
DETAIL A
SCALE 1 : 5



SECTION B-B
SCALE 1 : 5



DETAIL C
SCALE 1 : 5



Raw Material = 291.10 kg
Area : 9,33 m²

REV	CREATED BY	DATE	DESCRIPTION	APPROVED BY	DATE
0	ta.maatta	12.5.2022	CREATE A LAYOUT	jo.innanen	12.5.2022
			Nikkarintie 4 FI-51200 Kangasniemi Finland Tel +358 15 337 7770 www.tehomet.com	THIS DRAWING IS PROPERTY OF VALMONT INDUSTRIES AND MUST NOT BE USED, COPIED OR PRODUCED WITHOUT VALMONT'S WRITTEN CONSENT	
MATERIAL :		CUSTOMER :		CALCULATION NUMBER :	PART NUMBER :
FINISH : GALV EN ISO 1461		P225C215O 4608151 P-VARTINEN OLAKEPYLVÄS		DRAWING NUMBER : 110520KGS P225C215O	
GENERAL TOLERANCE ± : EN40			A3	SCALE 1:50	REVISION

SHEET :
1/1

1