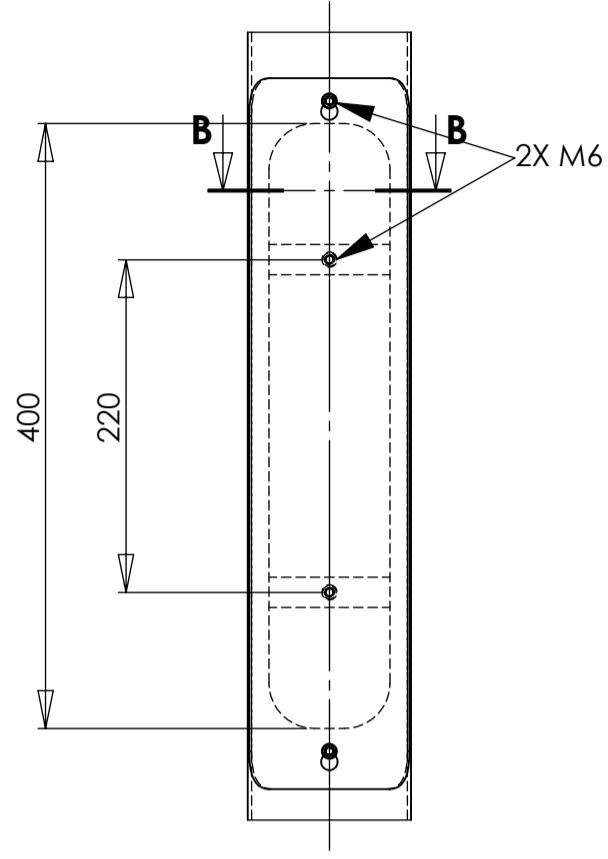
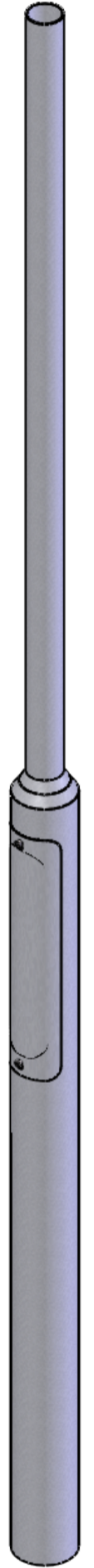
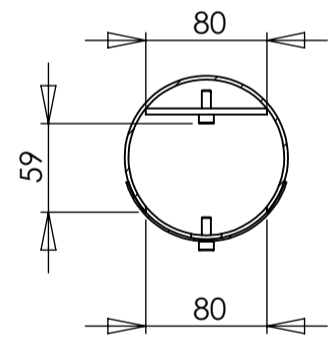


**DETAIL A
SCALE 1 : 5**



**SECTION B-B
SCALE 1 : 5**



Raw Material = 14.32 kg
Area : 0,85 m²

REV	CREATED BY	DATE	DESCRIPTION	APPROVED BY	DATE
0	ta.maatta	6.5.2022	CREATE A LAYOUT	jo.innanen	6.5.2022
		Nikkarintie 4 FI-51200 Kangasniemi Finland		Tel +358 15 337 7770 www.tehomet.com	
MATERIAL :		CUSTOMER :		CALCULATION NUMBER :	
FINISH :		P3,0-108 4608397 TEHOMET PUUSTOPYLVÄS		PART NUMBER :	
GENERAL TOLERANCE ± :			A3	SCALE 1:10	THIS DRAWING IS PROPERTY OF VALMONT INDUSTRIES AND MUST NOT BE USED, COPIED OR PRODUCED WITHOUT VALMONT'S WRITTEN CONSENT SHEET : 1/1
				110800KXXX	DRAWING NUMBER : P3,0-108 REVISION