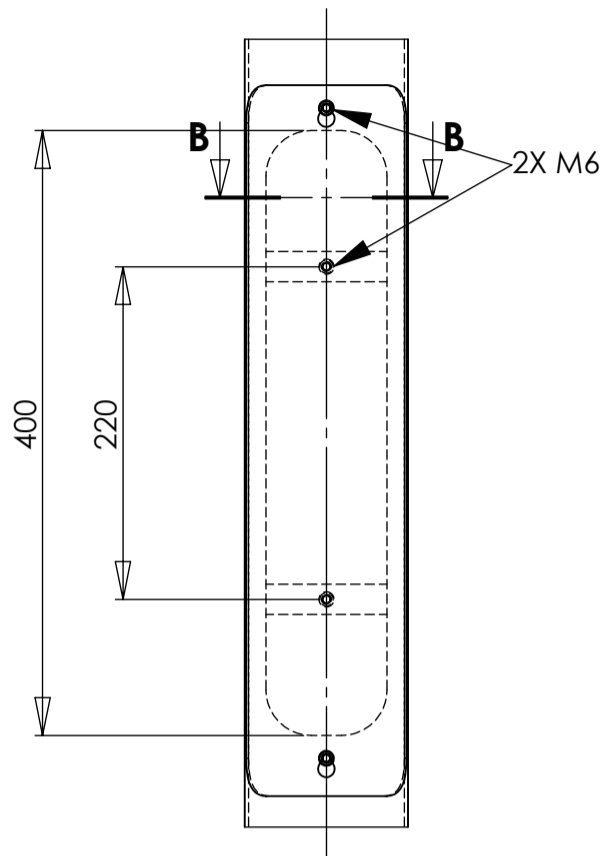
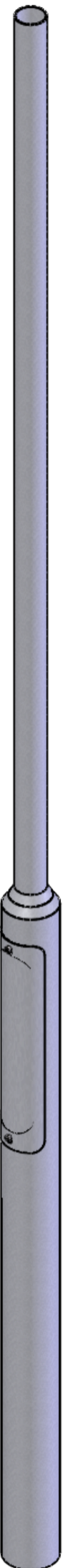
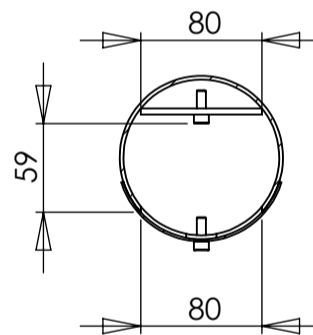


**DETAIL A
SCALE 1 : 5**



**SECTION B-B
SCALE 1 : 5**



Raw Material = 15.76 kg
Area : 0,85 m²

REV	CREATED BY	DATE	DESCRIPTION	APPROVED BY	DATE
0	ta.maatta	6.5.2022	CREATE A LAYOUT	jo.innanen	6.5.2022
			Nikkarintie 4 FI-51200 Kangasniemi Finland Tel +358 15 337 7770 www.tehomet.com	THIS DRAWING IS PROPERTY OF VALMONT INDUSTRIES AND MUST NOT BE USED, COPIED OR PRODUCED WITHOUT VALMONT'S WRITTEN CONSENT	
MATERIAL :		CUSTOMER :		CALCULATION NUMBER :	PART NUMBER :
FINISH : GALV EN ISO 1461		P3,5-108 4608400 TEHOMET PUUSTOPYLVÄS		DRAWING NUMBER :	REVISION
GENERAL TOLERANCE ± : EN40			A3	SCALE 1:10	110810KXXX P3,5-108

SHEET :
1/1

1