

D

C

B

A

8

8

7

7

6

6

5

5

4

4

3

3

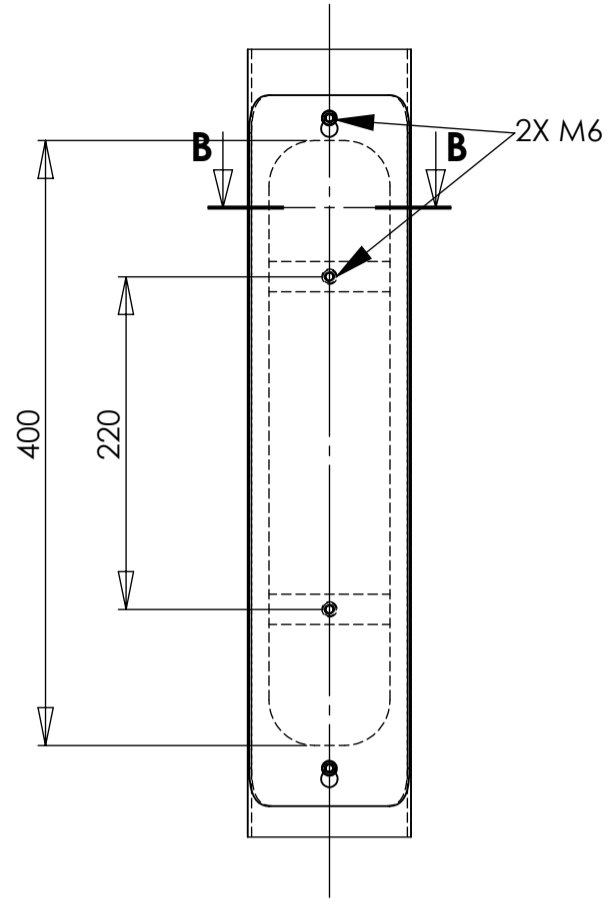
2

2

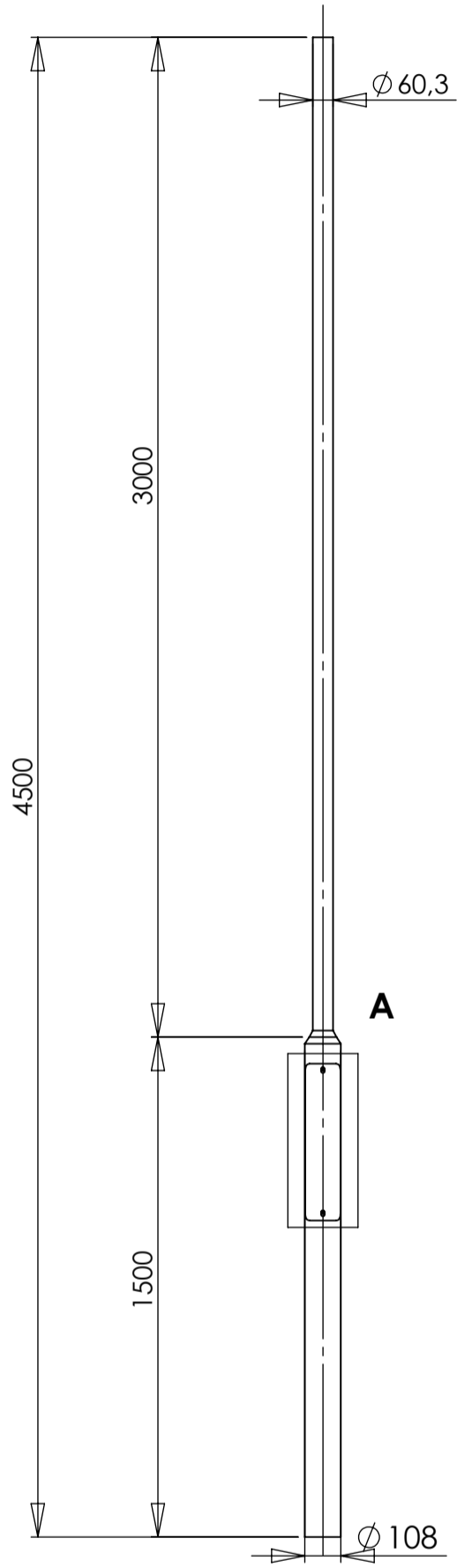
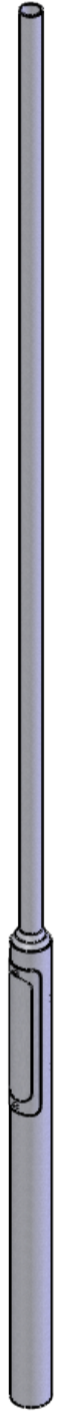
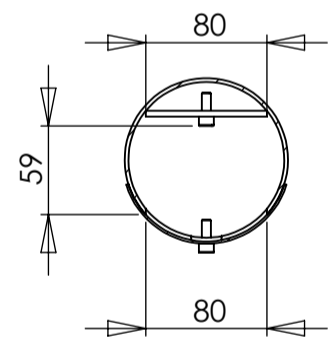
1

1

### DETAIL A SCALE 1 : 5



### SECTION B-B SCALE 1 : 5



Raw Material = 18.63 kg  
Area : 1,04 m<sup>2</sup>

REV	CREATED BY	DATE	DESCRIPTION	APPROVED BY	DATE
0	ta.maatta	6.5.2022	CREATE A LAYOUT	jo.innanen	6.5.2022
		Nikkarintie 4 FI-51200 Kangasniemi Finland <a href="http://www.tehomet.com">www.tehomet.com</a>		THIS DRAWING IS PROPERTY OF VALMONT INDUSTRIES AND MUST NOT BE USED, COPIED OR PRODUCED WITHOUT VALMONT'S WRITTEN CONSENT	
MATERIAL :		CUSTOMER :		CALCULATION NUMBER :	PART NUMBER :
FINISH : GALV EN ISO 1461		P4,5-108 4608403 TEHOMET PUUSTOPYLVÄS		DRAWING NUMBER :	REVISION
GENERAL TOLERANCE ± : EN40			A3	SCALE 1:20	110820KXXX P4,5-108

D

C

B

A