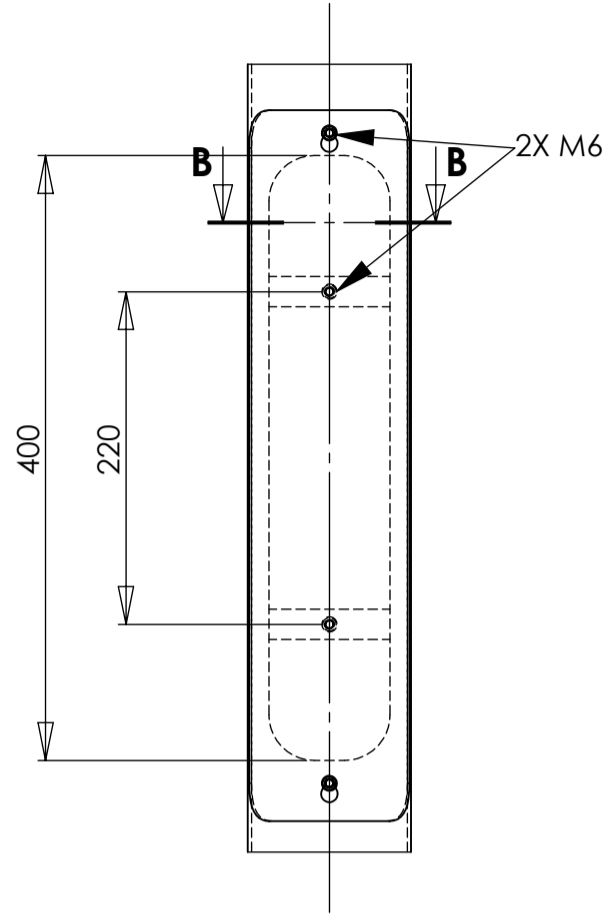
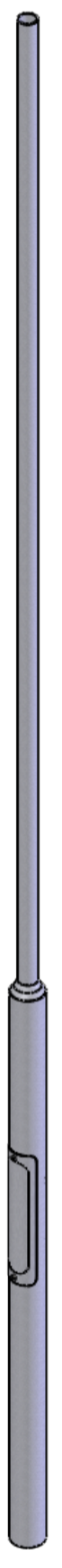
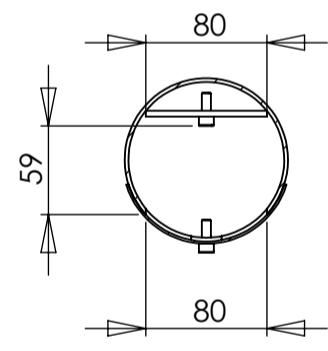



**DETAIL A  
SCALE 1 : 5**



**SECTION B-B  
SCALE 1 : 5**



Raw Material = 27.64 kg  
Area : 1,31 m<sup>2</sup>

REV	CREATED BY	DATE	DESCRIPTION	APPROVED BY	DATE
0	ta.maatta	6.5.2022	CREATE A LAYOUT	jo.innanen	6.5.2022
		Nikkarintie 4 FI-51200 Kangasniemi Finland www.tehomet.com		THIS DRAWING IS PROPERTY OF VALMONT INDUSTRIES AND MUST NOT BE USED, COPIED OR PRODUCED WITHOUT VALMONT'S WRITTEN CONSENT	
MATERIAL :		CUSTOMER :		CALCULATION NUMBER :	PART NUMBER :
FINISH : GALV EN ISO 1461		P5,5-108 4608406 TEHOMET PUISTOPYLVÄS		DRAWING NUMBER :	REVISION
GENERAL TOLERANCE ± : EN40			A3	SCALE 1:20	110830KXXX P5,5-108