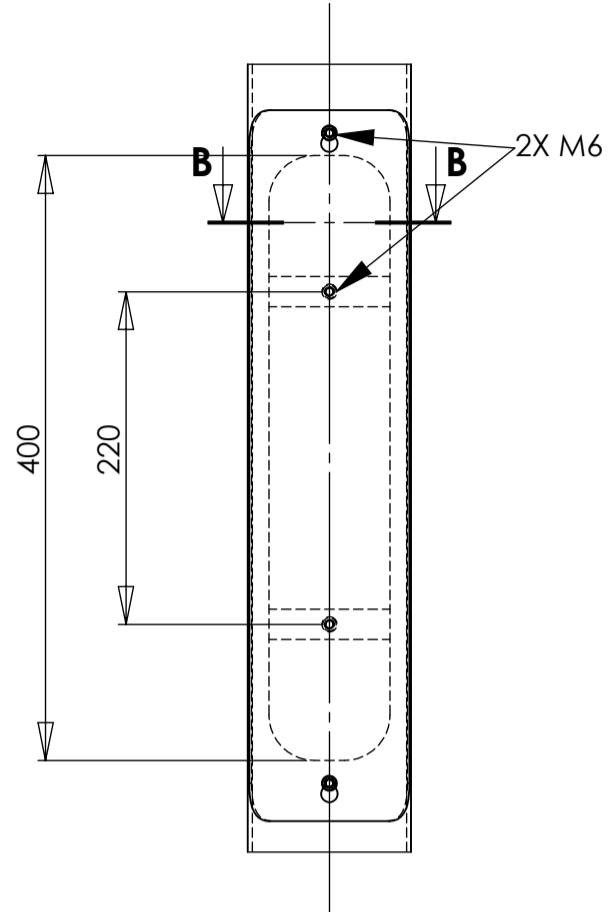
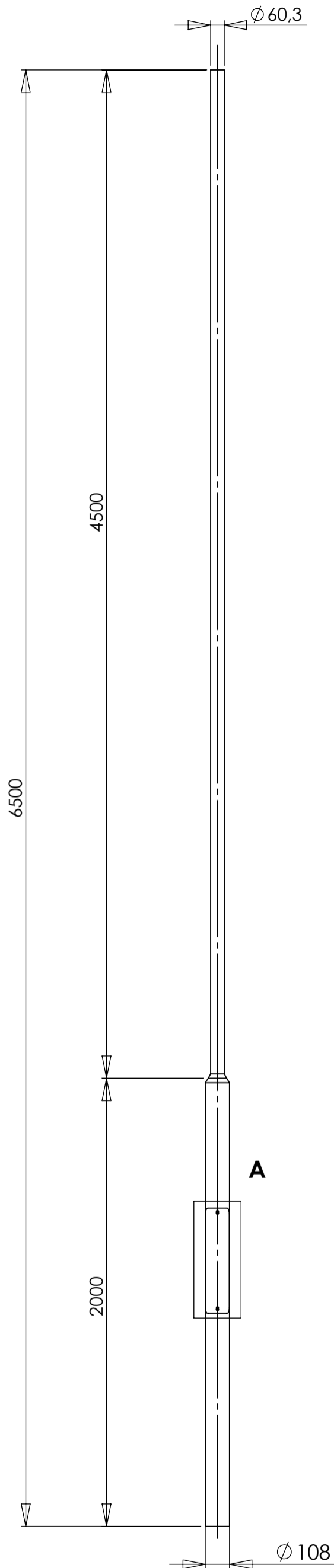
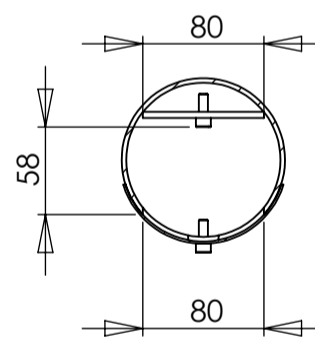


**DETAIL A  
SCALE 1 : 5**



**SECTION B-B  
SCALE 1 : 5**



Raw Material = 34.10 kg  
Area : 1,50 m<sup>2</sup>

| REV  | CREATED BY | DATE                                     | DESCRIPTION   | APPROVED BY  | DATE                |
|--|------------|--|---|--|---------------------|
| 0  | ta.maatta  | 6.5.2022                                 | CREATE A LAYOUT   | jo.innanen   | 6.5.2022            |
|  |            |  | Nikkarintie 4<br>FI-51200 Kangasniemi<br>Finland<br>Tel +358 15 337 7770<br>www.tehomet.com | THIS DRAWING IS PROPERTY OF VALMONT INDUSTRIES AND MUST NOT BE USED, COPIED OR PRODUCED WITHOUT VALMONT'S WRITTEN CONSENT<br>SHEET : 1/1 |                     |
| MATERIAL :   |            | CUSTOMER :                               |   | CALCULATION NUMBER :   | PART NUMBER :       |
| FINISH : GALV EN ISO 1461  |            | P6,5-108 4608409<br>TEHOMET PUISTOPYLVÄS |   | DRAWING NUMBER :   | REVISION            |
| GENERAL TOLERANCE ± : EN40   |            |  | A3  | SCALE 1:20   | 110840KXXX P6,5-108 |