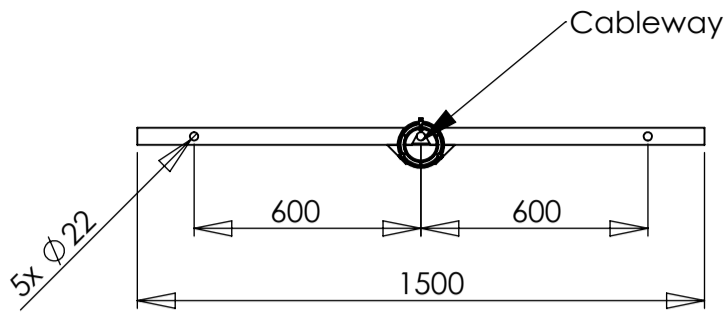
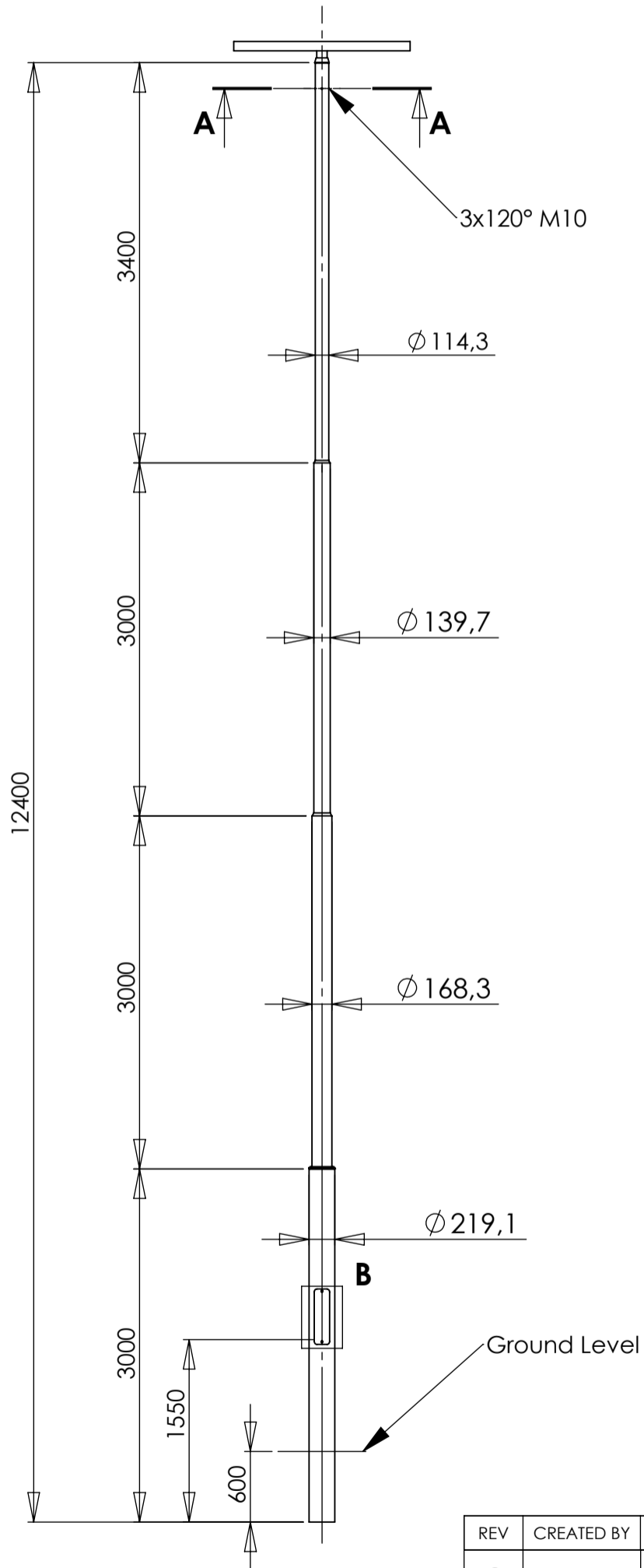
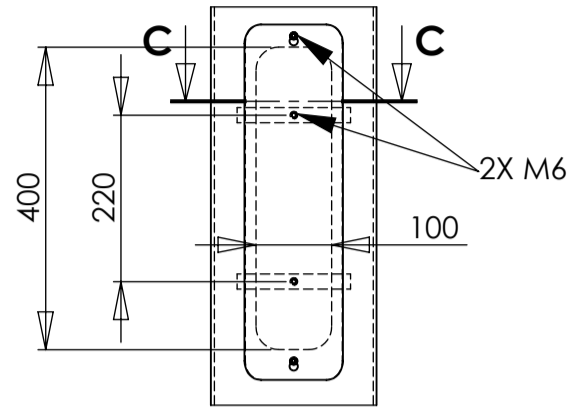


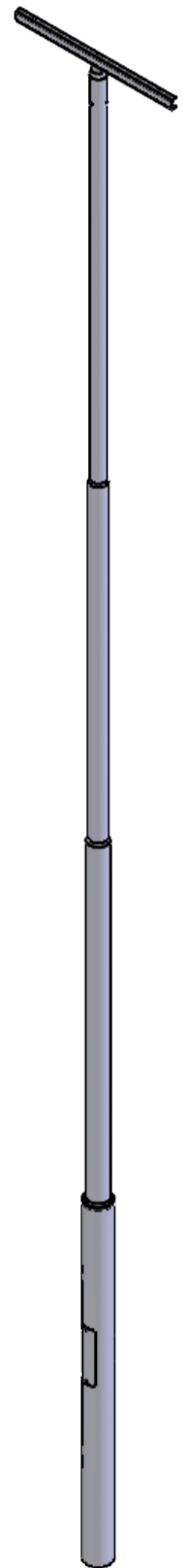
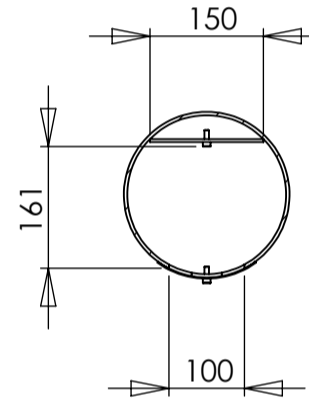
**SECTION A-A
SCALE 1 : 20**



**DETAIL B
SCALE 1 : 10**



**SECTION C-C
SCALE 1 : 10**



REV	CREATED BY	DATE	DESCRIPTION	APPROVED BY	DATE
0	ta.maatta	30.5.2022	CREATE A LAYOUT	jo.innanen	30.5.2022
		Nikkarintie 4 FI-51200 Kangasniemi Finland		Tel +358 15 337 7770 www.tehomet.com	
MATERIAL : FINISH : GALV EN ISO 1461			CUSTOMER : H12TO15 4608490 VALONHEITINPYLVÄS		SHEET : 1/1
Raw Material = 208.92 kg Area : 6,92 m ²			GENERAL TOLERANCE ± : EN40		CALCULATION NUMBER : 111000KGXS
			A3 SCALE 1:50		PART NUMBER : H12TO15
					DRAWING NUMBER : 111000KGXS
					REVISION

D

C

B

A