

D

C

B

A

8

8

7

7

6

6

5

5

4

4

3

3

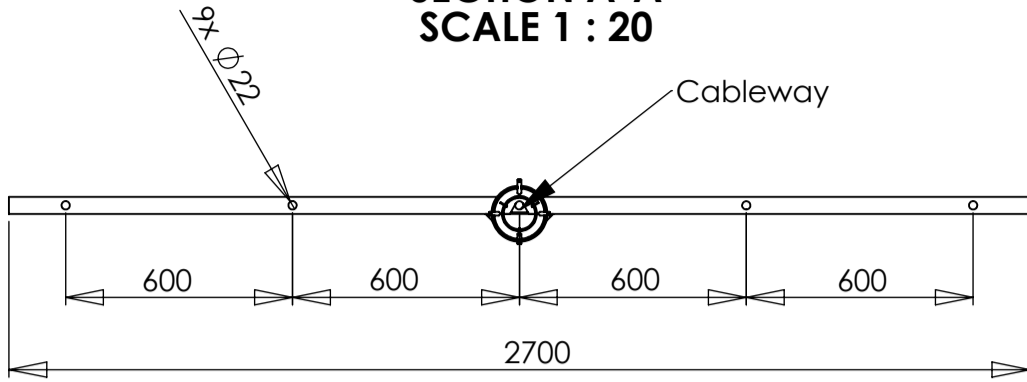
2

2

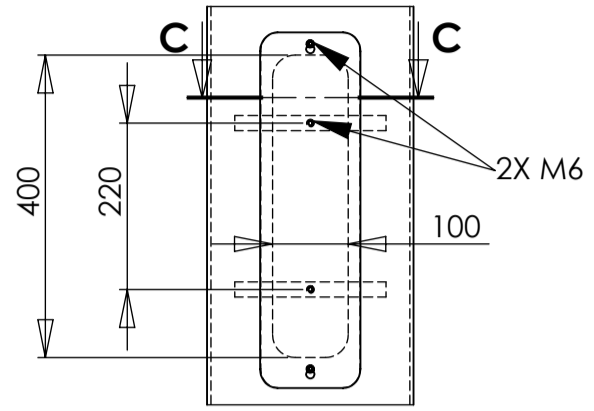
1

1

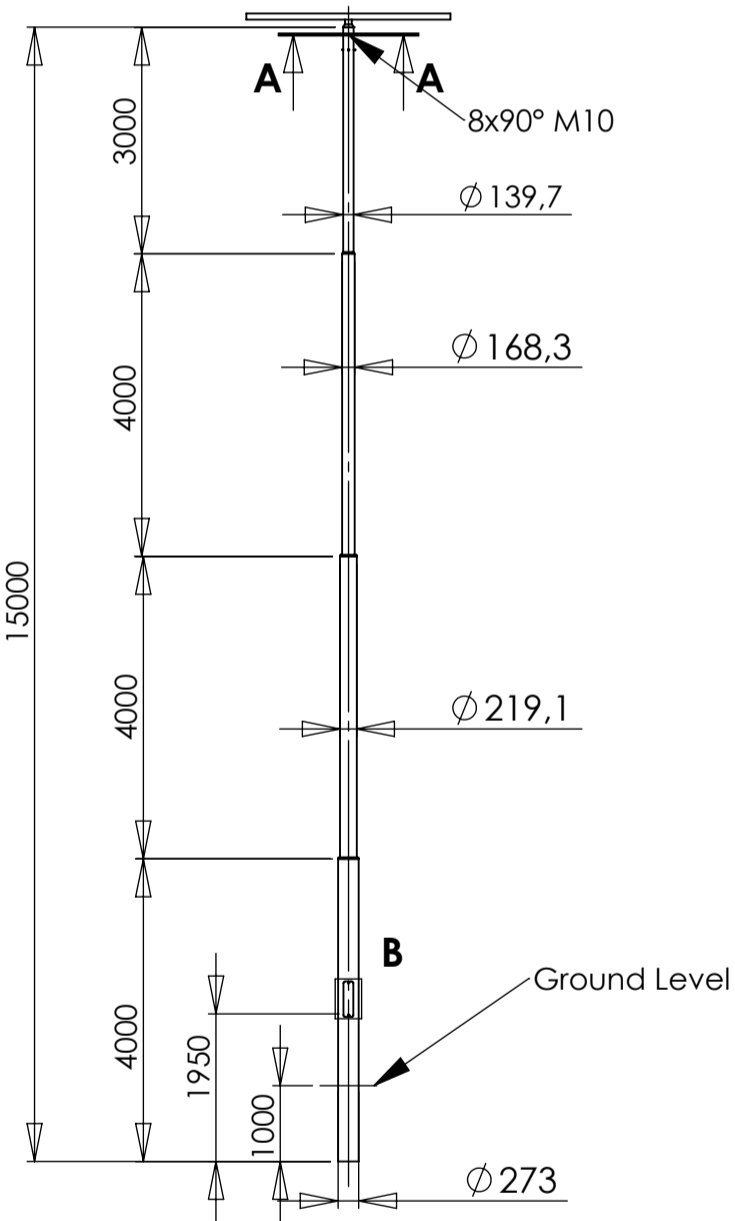
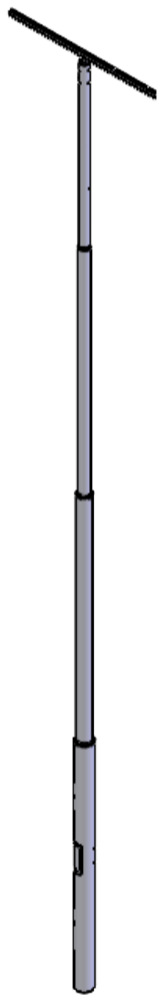
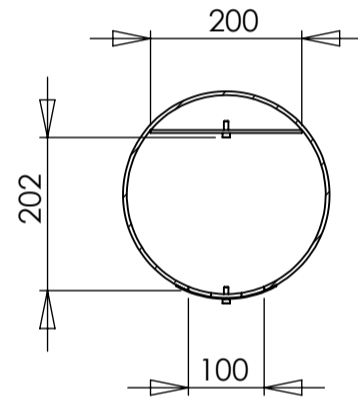
SECTION A-A SCALE 1 : 20



DETAIL B SCALE 1 : 10



SECTION C-C SCALE 1 : 10



REV	CREATED BY	DATE	DESCRIPTION	APPROVED BY	DATE
0	ta.maatta	30.5.2022	CREATE A LAYOUT	jo.innanen	30.5.2022
		Nikkarintie 4 FI-51200 Kangasniemi Finland		Tel +358 15 337 7770 www.tehomet.com	
MATERIAL :		CUSTOMER :		CALCULATION NUMBER :	
Raw Material = 352.81 kg		H14TO27 4608499		PART NUMBER :	
Area : 10,80 m ²		VALONHEITINPYLVÄS		DRAWING NUMBER :	
FINISH : GALV EN ISO 1461		GENERAL TOLERANCE ± : EN40		REVISION	
		A3 SCALE 1:100		111030KGXS H14TO27	

D

C

B

A