

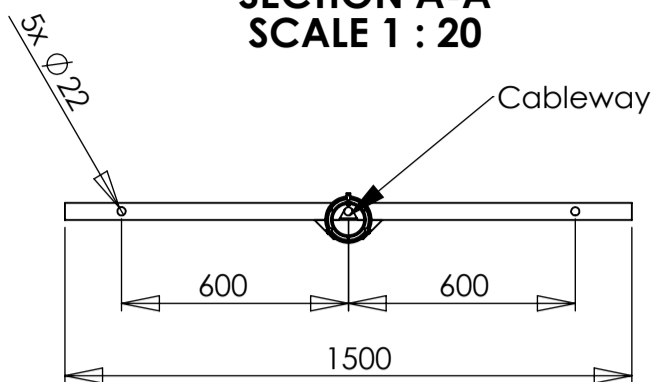
D

C

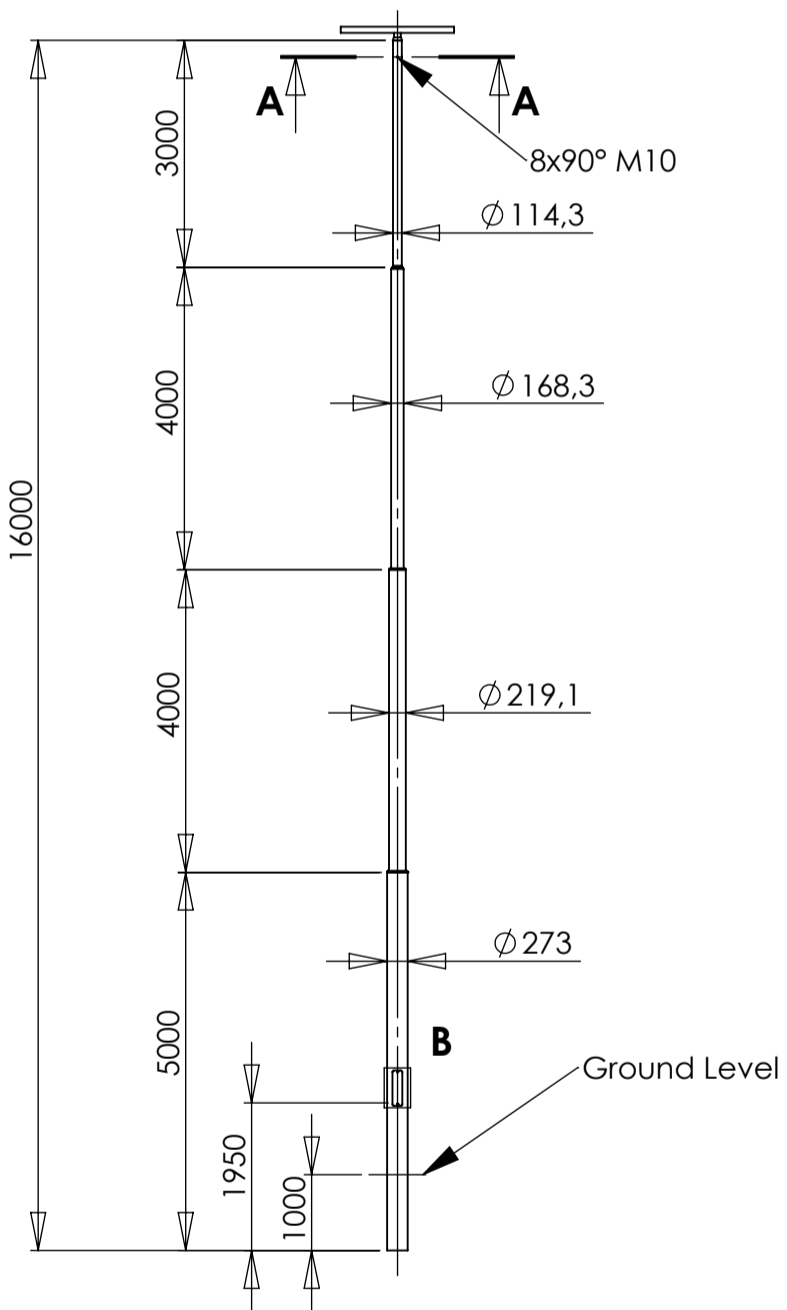
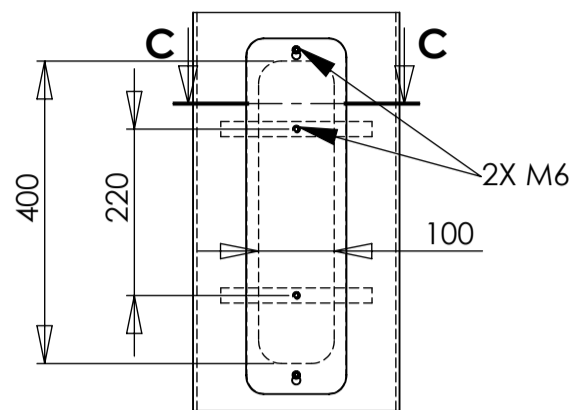
B

A

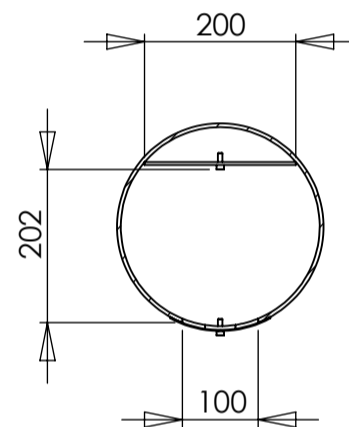
SECTION A-A SCALE 1 : 20



DETAIL B SCALE 1 : 10



SECTION C-C SCALE 1 : 10



Raw Material = 368.63 kg
Area : 10,99 m²

REV	CREATED BY	DATE	DESCRIPTION	APPROVED BY	DATE
0	ta.maatta	30.5.2022	CREATE A LAYOUT	jo.innanen	30.5.2022
			Nikkarintie 4 FI-51200 Kangasniemi Finland Tel +358 15 337 7770 www.tehomet.com	THIS DRAWING IS PROPERTY OF VALMONT INDUSTRIES AND MUST NOT BE USED, COPIED OR PRODUCED WITHOUT VALMONT'S WRITTEN CONSENT	
MATERIAL :		CUSTOMER :		CALCULATION NUMBER :	PART NUMBER :
FINISH : GALV EN ISO 1461		H15TO15 4608502 VALONHEITINPYLVÄS		DRAWING NUMBER :	REVISION
GENERAL TOLERANCE ± : EN40			A3	SCALE 1:100	111040KGXS H15TO15

D

C

B

A