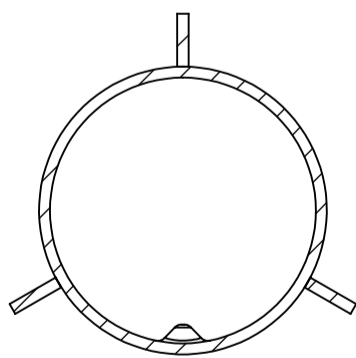


**SECTION A-A
SCALE 1 : 2**



Raw Material = 9.54 kg
Area : 0.44 m²

REV	CREATED BY	DATE	DESCRIPTION	APPROVED BY	DATE
0	ta.maatta	3.5.2022	CREATE A LAYOUT	jo.innanen	3.5.2022
		Nikkarintie 4 FI-51200 Kangasniemi Finland		Tel +358 15 337 7770 www.tehomet.com	THIS DRAWING IS PROPERTY OF VALMONT INDUSTRIES AND MUST NOT BE USED, COPIED OR PRODUCED WITHOUT VALMONT'S WRITTEN CONSENT
MATERIAL :		CUSTOMER :		CALCULATION NUMBER :	PART NUMBER :
FINISH :		S200BO 4608286 S-OLAKEVARSI		DRAWING NUMBER :	REVISION
GALV EN ISO 1461		GENERAL TOLERANCE \pm : EN40		130310KXXX	S200BO

8
7
6
5
4
3
2
1

D C B A

D C B A