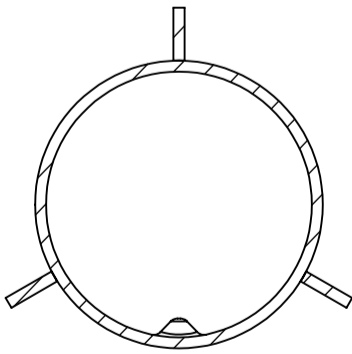


**SECTION A-A
SCALE 1 : 2**



Raw Material = 13.25 kg
Area : 0,60 m²

REV	CREATED BY	DATE	DESCRIPTION	APPROVED BY	DATE
0	ta.maatta	3.5.2022	CREATE A LAYOUT	jo.innanen	3.5.2022
			Nikkarintie 4 FI-51200 Kangasniemi Finland Tel +358 15 337 7770 www.tehomet.com	THIS DRAWING IS PROPERTY OF VALMONT INDUSTRIES AND MUST NOT BE USED, COPIED OR PRODUCED WITHOUT VALMONT'S WRITTEN CONSENT	
MATERIAL :		CUSTOMER :		CALCULATION NUMBER :	PART NUMBER :
FINISH : GALV EN ISO 1461		P210BO 4608238 P-OLAKEVARSI		DRAWING NUMBER :	REVISION
GENERAL TOLERANCE \pm : EN40			A3	SCALE 1:10	130410KXXX P210BO

8
7
6
5
4
3
2
1

D C B A