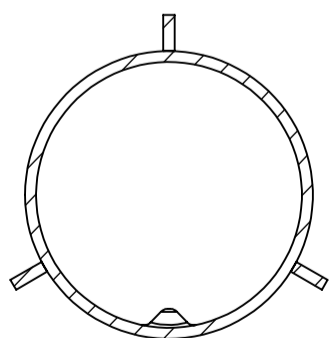


**SECTION A-A  
SCALE 1 : 2**



Raw Material = 20.38 kg  
Area : 0,93 m<sup>2</sup>

| REV  | CREATED BY | DATE                           | DESCRIPTION   | APPROVED BY  | DATE              |
|--|------------|--------------------------------|---|--|-------------------|
| 0  | ta.maatta  | 3.5.2022                       | CREATE A LAYOUT   | jo.innanen   | 3.5.2022          |
|  |            |                                | Nikkarintie 4<br>FI-51200 Kangasniemi<br>Finland<br>Tel +358 15 337 7770<br>www.tehomet.com | THIS DRAWING IS PROPERTY OF<br>VALMONT INDUSTRIES AND MUST NOT BE<br>USED, COPIED OR PRODUCED WITHOUT<br>VALMONT'S WRITTEN CONSENT |                   |
| MATERIAL :   |            | CUSTOMER :                     |   | CALCULATION NUMBER :   | PART NUMBER :     |
| FINISH :<br>GALV EN ISO 1461   |            | P225BO 4608244<br>P-OLAKEVARSI |   | DRAWING NUMBER :   | REVISION          |
| GENERAL TOLERANCE ± : EN40   |            |                                | A3  | SCALE 1:20   | 130430KXXX P225BO |

8  
7  
6  
5  
4  
3  
2  
1

D C B A