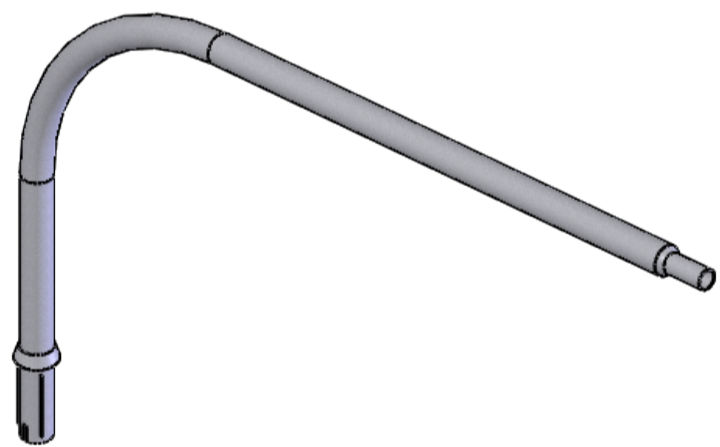
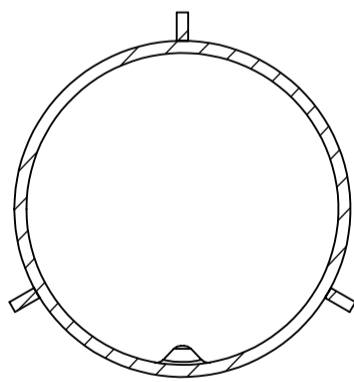


**SECTION A-A  
SCALE 1 : 2**



Raw Material = 25.71 kg  
Area : 1,11 m<sup>2</sup>

REV	CREATED BY	DATE	DESCRIPTION	APPROVED BY	DATE
0	ta.maatta	3.5.2022	CREATE A LAYOUT	jo.innanen	3.5.2022
		Nikkarintie 4 FI-51200 Kangasniemi Finland		Tel +358 15 337 7770 <a href="http://www.tehomet.com">www.tehomet.com</a>	THIS DRAWING IS PROPERTY OF VALMONT INDUSTRIES AND MUST NOT BE USED, COPIED OR PRODUCED WITHOUT VALMONT'S WRITTEN CONSENT
MATERIAL :		CUSTOMER :		CALCULATION NUMBER :	PART NUMBER :
FINISH : GALV EN ISO 1461		P225CO 4608247 P-OLAKEVARSI		DRAWING NUMBER :	REVISION
GENERAL TOLERANCE $\pm$ : EN40			A3	SCALE 1:20	130440KXXX P225CO

SHEET :  
1/1

1