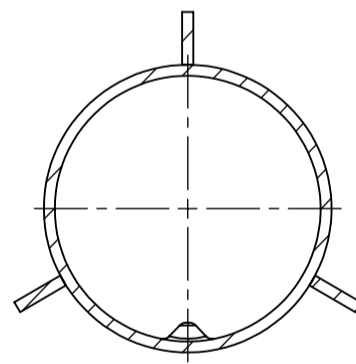


**SECTION A-A  
SCALE 1 : 2**



Raw Material = 19.32 kg  
Area : 0,93 m<sup>2</sup>

REV	CREATED BY	DATE	DESCRIPTION	APPROVED BY	DATE
0	ta.maatta	29.4.2022	CREATE A LAYOUT	jo.innanen	29.4.2022
		Nikkarintie 4 FI-51200 Kangasniemi Finland		Tel +358 15 337 7770 www.tehomet.com	
MATERIAL :		CUSTOMER :		THIS DRAWING IS PROPERTY OF VALMONT INDUSTRIES AND MUST NOT BE USED, COPIED OR PRODUCED WITHOUT VALMONT'S WRITTEN CONSENT	
FINISH :		T210BO 4608259		SHEET : 1/1	
GALV EN ISO 1461		T-OLAKEVARSI		REVISION	
GENERAL TOLERANCE ± : EN40			A3	SCALE 1:20	DRAWING NUMBER : 130510KXXX PART NUMBER : T210BO