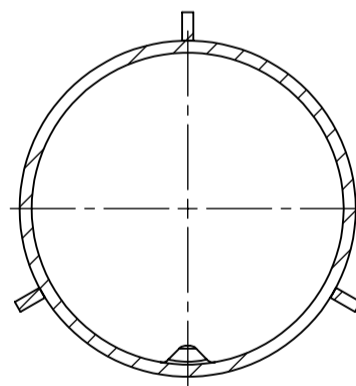


**SECTION A-A
SCALE 1 : 2**



Raw Material = 23.66 kg
Area : 1,23 m²

REV	CREATED BY	DATE	DESCRIPTION	APPROVED BY	DATE
0	ta.maatta	29.4.2022	CREATE A LAYOUT	jo.innanen	29.4.2022
		Nikkarintie 4 FI-51200 Kangasniemi Finland		Tel +358 15 337 7770 www.tehomet.com	
MATERIAL :		CUSTOMER :		THIS DRAWING IS PROPERTY OF VALMONT INDUSTRIES AND MUST NOT BE USED, COPIED OR PRODUCED WITHOUT VALMONT'S WRITTEN CONSENT	
FINISH :		T310BO 4608262		SHEET : 1/1	
GALV EN ISO 1461		T-OLAKEVARSI		CALCULATION NUMBER :	
GENERAL TOLERANCE ± : EN40		A3 SCALE 1:20		PART NUMBER :	
				DRAWING NUMBER : 130520KXXX	
				REVISION	
				T310BO	