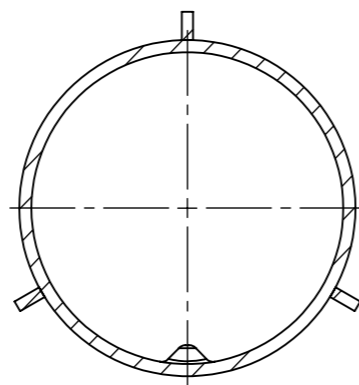


**SECTION A-A
SCALE 1 : 2**



Raw Material = 42.22 kg
Area : 3.52 m²

REV	CREATED BY	DATE	DESCRIPTION	APPROVED BY	DATE
0	ta.maatta	3.5.2022	CREATE A LAYOUT	jo.innanen	3.5.2022
			Nikkarintie 4 FI-51200 Kangasniemi Finland Tel +358 15 337 7770 www.tehomet.com	THIS DRAWING IS PROPERTY OF VALMONT INDUSTRIES AND MUST NOT BE USED, COPIED OR PRODUCED WITHOUT VALMONT'S WRITTEN CONSENT	
MATERIAL :		CUSTOMER :		CALCULATION NUMBER :	PART NUMBER :
FINISH : GALV EN ISO 1461		T325BO 4608271 T-OLAKEVARSI		DRAWING NUMBER :	REVISION
GENERAL TOLERANCE ± : EN40			A3	SCALE 1:20	130550KXXX T325BO

SHEET :
1/1