



INSTALLATION INSTRUCTIONS FOR TEHOMET SAFETY POLE



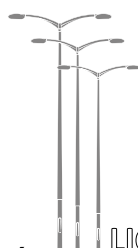
← LIGHT ALL THE WAY →

← INSTALLATION INSTRUCTIONS FOR
TEHOMET SAFETY POLE →

1. Install the foundation element on the ground level. It's recommended to use RBJ-foundations.



2. Move pole shaft close to the foundation, hand hole facing up. Use only approved lifting equipments. Pole is ought to handle with care to prevent damages and bending of the pole.
3. Place root protection rubber approximately 800 mm from the base.



LIGHT ALL THE WAY

← INSTALLATION INSTRUCTIONS FOR TEHOMET SAFETY POLE →

4. Install the arm to the shaft. Tighten top screws uniformly. Do not overtighten! (tightening torque <math><7\text{Nm}</math>)

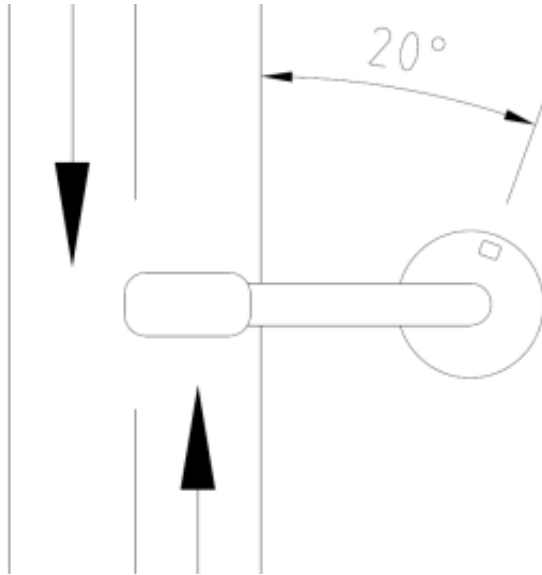


5. Tie the lifting belt onto the pole and lock the lifting hook to upper part of the hand hole



LIGHT ALL THE WAY

6. Install the pole to the foundation with care and position hand hole 20° to the right.



7. Check pole's straightness and arm orientation before final tensioning on the adjusting bolts. Tighten adjusting bolts of the foundation uniformly. Avoid excess tightening (tightening torque <math>< 50\text{Nm}</math>).



← INSTALLATION INSTRUCTIONS FOR
TEHOMET SAFETY POLE →

8. Slide root protection rubber to its place.



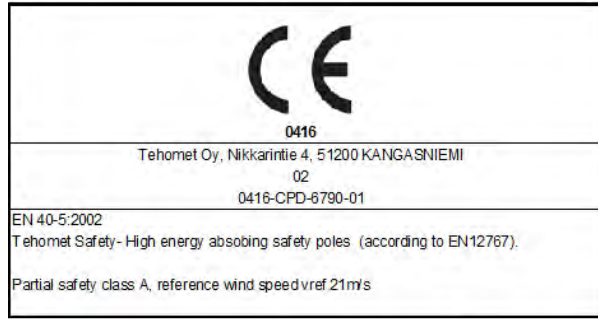
9. Equip the pole with connecting gear. This can also be done while pole laying down.

10. Pole installation ready and finished.

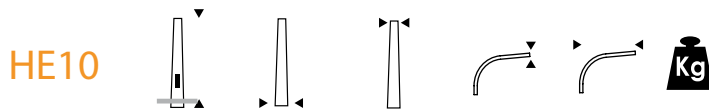


LIGHT ALL THE WAY

INSTALLATION INSTRUCTIONS FOR
TEHOMET SAFETY POLE

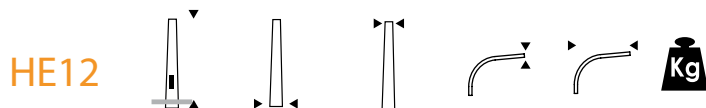


TECHNICAL INFO



Pole type	Height (m)	Base diameter (mm)	Top diameter (mm)	Arm diameter (mm)	Arm outreach (m)	Weight (kg)	Safety Class (EN12767)
HE10S100	10	194	89	60	-	87	100, HE2
HE10P102					0,2	88	
HE10P110					1	90	
HE10P115					1,5	92	
HE10P120					2	93	
HE10P125					2,5	95	
HE10T102					0,2	89	
HE10T110					1	96	
HE10T115					1,5	100	
HE10T120					2	102	
HE10T125					2,5	108	

Tehomet Safety- High energy absorbing safety poles (according to EN12767)
Partial safety class A, reference wind speed v_{ref} 21m/s



Pole type	Height (m)	Base diameter (mm)	Top diameter (mm)	Arm diameter (mm)	Arm outreach (m)	Weight (kg)	Safety Class (EN12767)
HE12S100	12	219	89	60	-	111	100, HE2
HE12P102					0,2	112	
HE12P110					1	114	
HE12P115					1,5	116	
HE12P120					2	117	
HE12P125					2,5	119	
HE12T102					0,2	113	
HE12T110					1	120	
HE12T115					1,5	124	
HE12T120					2	126	
HE12T125					2,5	132	



LIGHT ALL THE WAY

← LIGHT ————— AMBIENCE ————— SAFETY →

FOR MORE INFORMATION OF THE POLE AND ASSEMBLY,
PLEASE CONSULT THE MANUFACTURER.



LIGHT ALL THE WAY

Nikkarintie 4 | FI-51200 Kangasniemi | Finland

Tel. +358 15 337 7770 | Fax +358 15 343 999

VAT-ID: 0315647-3

www.tehomet.com