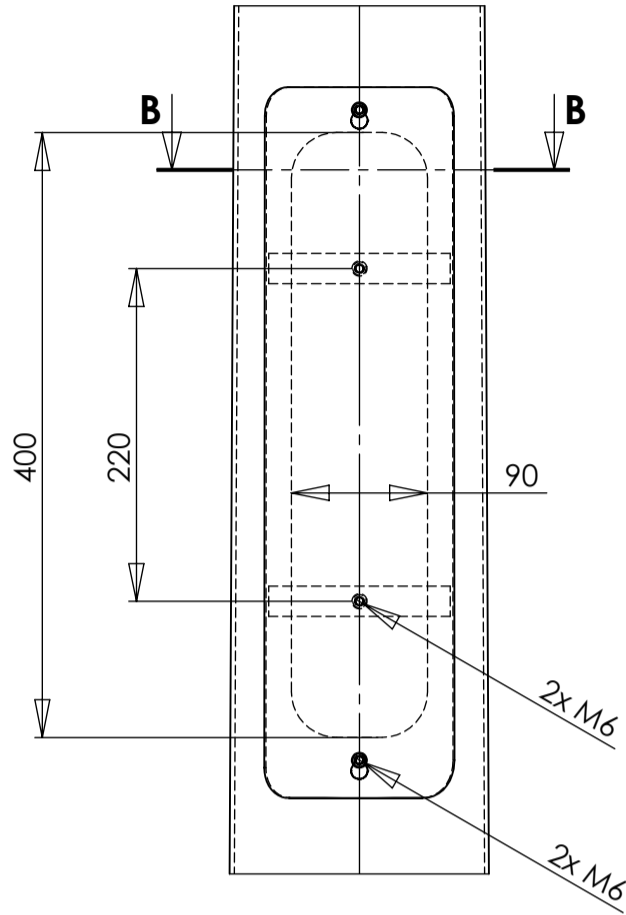
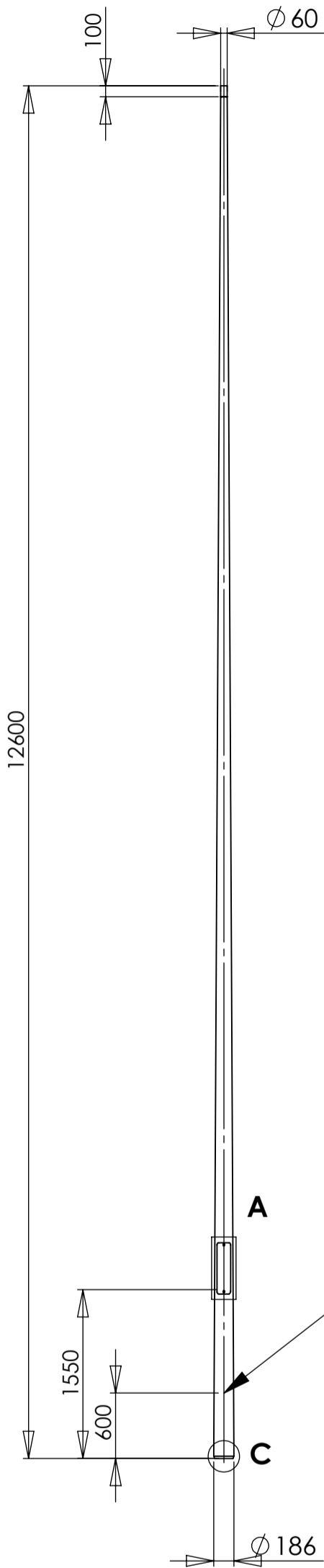
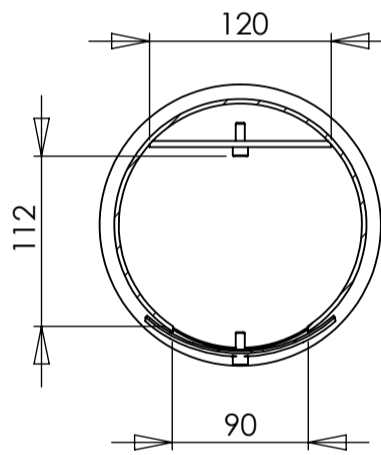


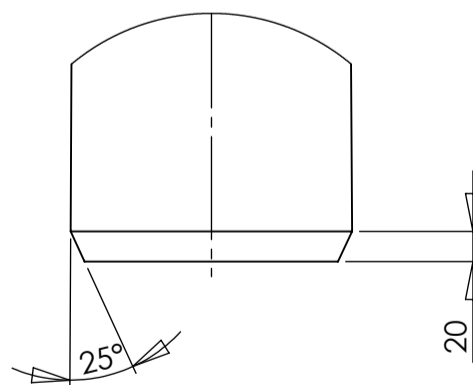
**DETAIL A
SCALE 1 : 5**



**SECTION B-B
SCALE 1 : 5**



**DETAIL C
SCALE 1 : 5**



Raw Material = 111.52 kg
Area : 5,34 m²

1	ja.laitinen	23.1.2024	Tyvihalkaisija päivitetty	ja.aalto	23.1.2024
REV	CREATED BY	DATE	DESCRIPTION	APPROVED BY	DATE
0	ta.maatta	26.4.2022	CREATE A LAYOUT	jo.innanen	26.4.2022
		Nikkarintie 4 FI-51200 Kangasniemi Finland		Tel +358 15 337 7770 www.tehomet.com	
MATERIAL :		CUSTOMER :		CALCULATION NUMBER :	
FINISH :		B112SK 4607818		PART NUMBER :	
GALV EN ISO 1461		SUORAKARTIOPYLVÄS		DRAWING NUMBER :	
GENERAL TOLERANCE ± : EN40		A3 SCALE 1:50		100080KXXX B112SK	
				REVISION	
				1/1	

THIS DRAWING IS PROPERTY OF VALMONT INDUSTRIES AND MUST NOT BE USED, COPIED OR PRODUCED WITHOUT VALMONT'S WRITTEN CONSENT