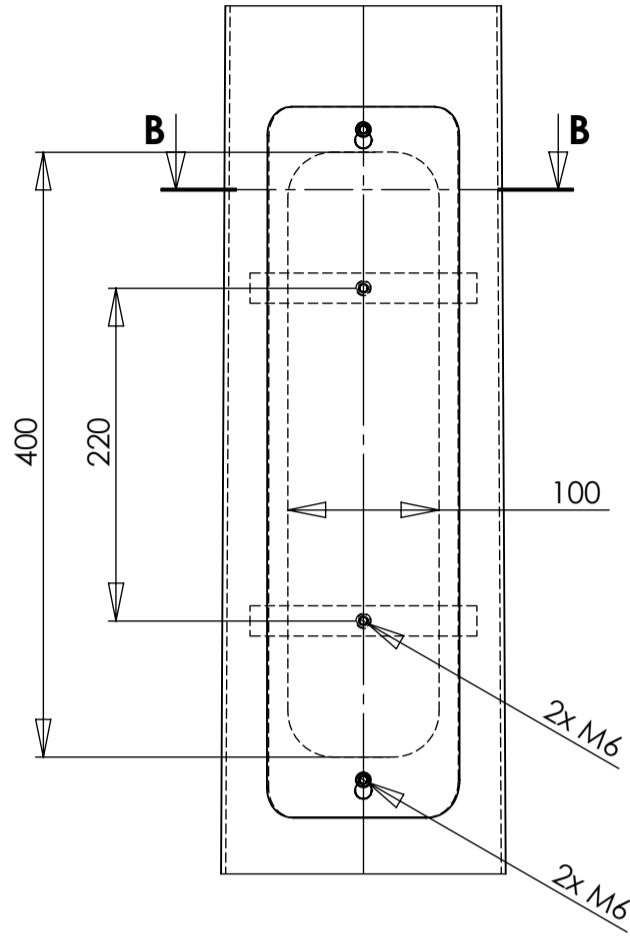
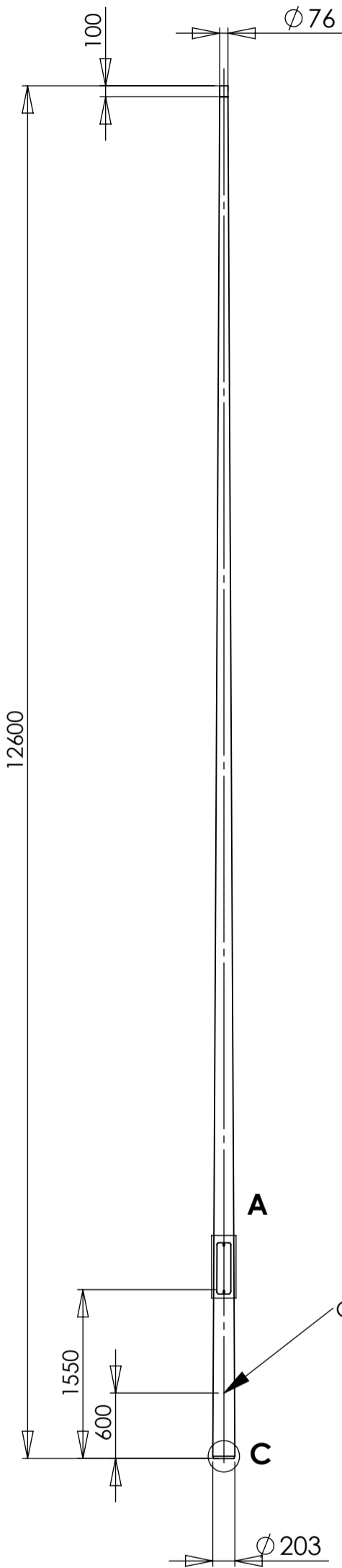
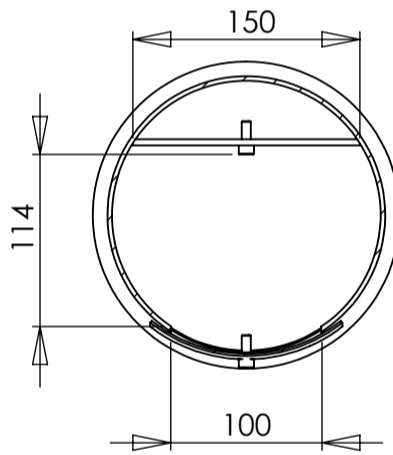


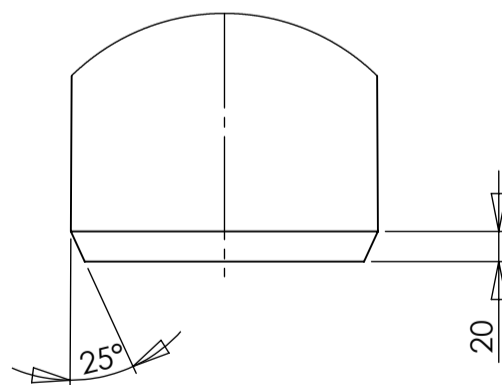
**DETAIL A
SCALE 1 : 5**



**SECTION B-B
SCALE 1 : 5**



**DETAIL C
SCALE 1 : 5**



Raw Material = 126.84 kg
Area : 5,98 m²

1	ja.laitinen	23.1.2024	Tyvihalkaisija päivitetty	ja.aalto	23.1.2024
REV	CREATED BY	DATE	DESCRIPTION	APPROVED BY	DATE
0	ta.maatta	26.4.2022	CREATE A LAYOUT	jo.innanen	26.4.2022
		Nikkarintie 4 FI-51200 Kangasniemi Finland		Tel +358 15 337 7770 www.tehomet.com	
MATERIAL :		CUSTOMER :		CALCULATION NUMBER :	
FINISH : GALV EN ISO 1461		B212SK 4608210 SUORAKARTIOPYLVÄS		PART NUMBER :	
GENERAL TOLERANCE ± : EN40		A3	SCALE 1:50	DRAWING NUMBER : 100090KXXX	
				REVISION B212SK	

THIS DRAWING IS PROPERTY OF VALMONT INDUSTRIES AND MUST NOT BE USED, COPIED OR PRODUCED WITHOUT VALMONT'S WRITTEN CONSENT

SHEET :
1/1